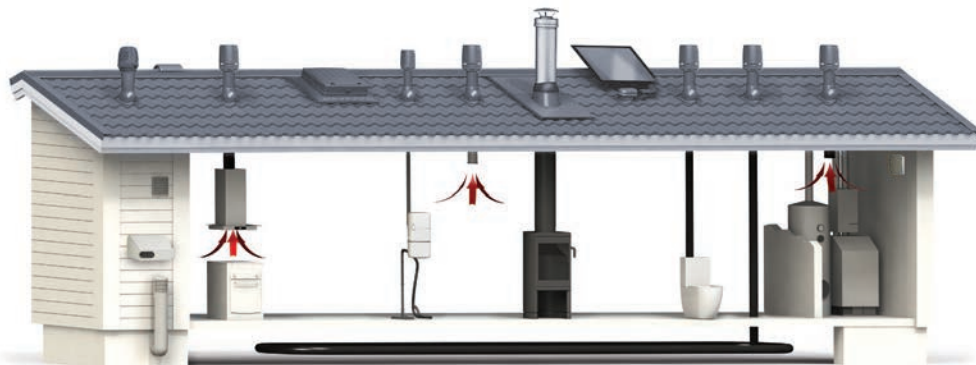




# ROOF FANS



- Black
- Brown
- Green
- Grey
- Red
- Brick red
- Light grey
- Anthracite

The RAL colour codes are available on our website: [vilpe.com/colour](http://vilpe.com/colour)



The VILPE product family includes a complete selection of roof elements and terminal equipment for ventilation. VILPE products form ensembles easy to assemble since all the installation tools and instructions are included in the sets. Uniquely long warranties only apply to ensembles with genuine VILPE products.

### P-series for pitched roofs

The P-series roof fans and exhaust ventilation pipes can be led watertightly with a pass-through set through a roof. VILPE pass-through sets can be installed on any roofs with the most common pitches. The pass-through set is always selected according to the roofing material of the roof. All the roof fans and exhaust ventilation pipes in the P-series are compatible with all pass-through set types. Using P-series XL roof fans and XL exhaust ventilation pipes requires an XL pass-through.



### S-series for flat surface installation

The S-series roof fans and exhaust vents are designed to be installed in the ventilation shaft, onto a silencer or in or other horizontal surface. Thus, they are also suitable for gently sloping roofs. The S-roof fans and S-exhaust vents are used, for example, in blocks of flats and terraced houses, when flat-specific ventilation is required. The S-series roof fan can also be used for modifying an old natural ventilation system into a mechanical one during renovation.



### VILPE® - maximal roof pitches for P-series pass-throughs

Pass-through	Pipe XL Pass-through	Ø 110 mm	Ø 125 mm	Ø 160 mm	Ø 160 mm XL	Ø 200 mm XL	Ø 250 mm XL
Tile 2K / Tiili	XL Tile	40° / 48°	37° / 48°	32° / 37°	47°	45°	43°
Unitile 2K / Unitile	-	48° / 57°	46° / 57°	43° / 52°	-	-	-
Vittinge 1-w	-	45°	40°	30°	-	-	-
Vittinge 2-w	-	55°	50°	35°	-	-	-
Profiled steel 2K / Profiled steel	XL Universal MK1	43° / 50°	40° / 45°	36° / 40°	47°	47°	47°
Steel	XL Universal	45°	40°	27°	47°	47°	47°
Classic	XL Classic	55°	55°	48°	47°	47°	47°
Classic Vino 2K / Classic Vino	-	48°	46°	43°	-	-	-
HS Slate	-	59°	57°	52°	-	-	-
Felt	XL Felt	50°	50°	45°	47°	48°	45°
Felt Tall	XL Felt Tall	*	*	*	*	*	*
Decra	-	45°	45°	45°	-	-	-
Eternit B9	-	45°	45°	45°	-	-	-
Nera	-	57°	57°	50°	*	*	*
Evo 2K	-	39°	38°	30°	-	-	-
Aalto 2K	-	55°	50°	45°	-	-	-

P-series pass-throughs are for roofs with pitches of more than 1:5 (11.5°), unless stated otherwise.

On maximal roof pitches make sure that the roof structure does not prevent the installation.

\* The Felt pass-through tall is designed for installation on roofs with a pitch of less than 1:5 (11.5°). For the steeper roofs the normal Felt pass-through suits better.

Note! The roof pitches in the table are suggestive values. In extreme situations, the height of the roofing profile or the installation point of the underlay seals affects the values.

# ECo110 FLOW Roof fans

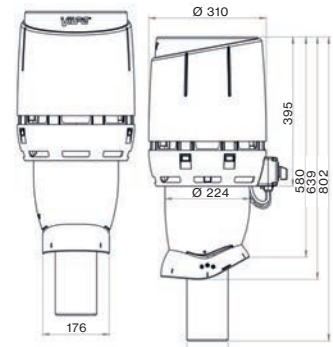
Colour Product No.

## VILPE® ECO110P/500 FLOW ROOF FAN

**Description:** Energy efficient insulated roof fan with the new FLOW cowl. Uses a EC motor for radon ventilation with a 0-10 V control voltage. Has an integrated service switch. Also suitable for ventilating an ecological toilet. The motor is specially protected. A VILPE ECo controllers and a VILPE pass-through according to the roofing material is required sepa-rately.

**Contents:** Roof fan, screws, installation, operating and maintenance instructions.

Black 350272  
Grey 350277

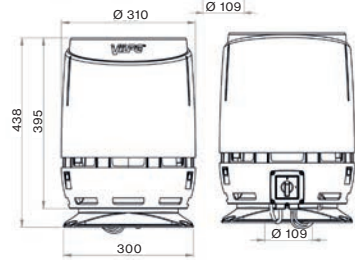


## VILPE® ECO110S FLOW ROOF FAN + INSTALLATION SET 300X300

**Description:** Energy efficient insulated roof fan with the new FLOW cowl. Uses a EC motor for radon ventilation with a 0-10 V control voltage. Has an integrated service switch. Also suitable for ventilating an ecological toilet. The motor is specially protected. An installation set for a flat surface is included. VILPE ECo Controller is available separately.

**Contents:** Roof fan, installation set, screws, installation, operating and maintenance instructions.

Black 350282  
Grey 350287  
Red 350288  
Brick red 350289  
Light grey 350281  
Anthracite 35028D

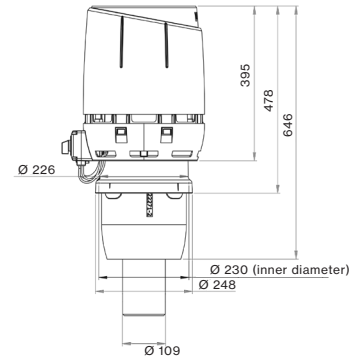


## VILPE® ECO110C/400 FLOW ROOF FAN

**Description:** Energy-efficient insulated roof fan with FLOW cowl and EC motor (with 0-10V control voltage). Also suitable for ventilation of an ecological toilet. Not for indoor air ventilation. Installed in a sheet metal cone with opening Ø 230 mm, made by a sheet metal worker. The motor is specially protected.

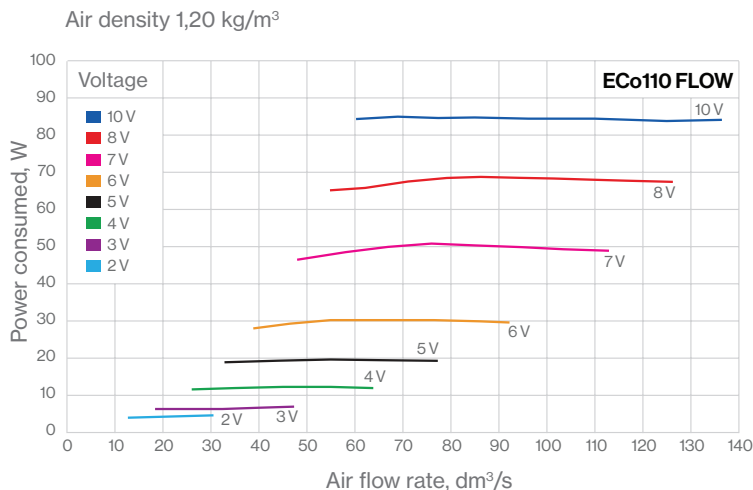
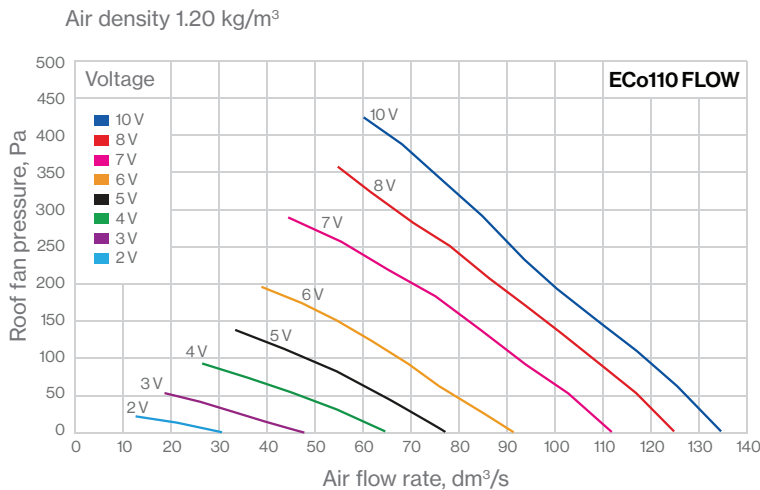
**Contents:** Roof fan, screws; installation, operating and maintenance instructions.

Black 350562  
Grey 350567  
Light Grey 350561



### ELECTRICAL DETAILS

Fan type ECo110 FLOW  
Power Input 83 W  
Current 0.75 A  
Nominal Voltage 230 V / 50 Hz  
Speed 3200 r/min  
Speed Controller 0-10 V



U	V	2	3	4	5	6	7	8	10
qv	dm <sup>3</sup> /s	21.2	32.7	45.4	54.8	69.7	84.8	93.8	101
pF	Pa	17.2	30.4	57.0	83.1	96.0	137	173	196
Pe	W	4.7	7.2	13.0	19.9	30.3	50.1	68.4	84.2
N	1/min	792	1128	1553	1874	2206	2653	2947	3157
Duct									
LW63	dB	*	*	*	*	*	75.3	*	*
LW125	dB	*	67.5	75.2	76.6	80.1	82.1	84.2	85.2
LW250	dB	51.9	60.8	74.5	72.0	77.1	80.7	82.5	83.5
LW500	dB	*	51.8	61.1	64.7	69.3	74.5	77.4	79.3
LW1000	dB	*	44.8	52.5	57.1	61.8	67.2	70.1	73.0
LW2000	dB	*	*	41.8	47.0	51.6	56.5	59.2	61.0
LW4000	dB	*	*	33.3	39.8	45.9	51.6	54.7	56.7
LW8000	dB	*	*	*	*	35.8	42.8	46.3	48.4
LW	dB	*	*	78.5	79.2	82.7	85.4	87.4	88.5
LWA	dB(A)	*	55.7	66.3	67.0	71.6	75.9	78.2	79.8

Environment									
LW63	dB	*	47.2	51.3	55.0	56.3	57.6	58.1	58.9
LW125	dB	*	45.3	52.0	55.3	58.4	61.5	63.1	64.5
LW250	dB	41.5	50.4	58.5	62.7	68.5	76.4	73.3	74.5
LW500	dB	*	48.8	56.3	62.6	65.7	70.8	73.7	76.6
LW1000	dB	*	44.9	52.6	57.9	62.7	67.5	70.5	72.7
LW2000	dB	*	42.8	52.4	58.4	63.6	68.5	71.4	73.4
LW4000	dB	*	*	43.8	51.0	56.8	62.3	65.5	67.8
LW8000	dB	*	*	*	40.0	46.9	53.6	57.4	60.0
LW	dB	*	55.1	62.6	67.6	72.2	78.6	78.8	81.0
LWA	dB(A)	*	50.4	58.7	64.5	69.2	75.0	76.9	79.0

# ECo125 FLOW Roof fans

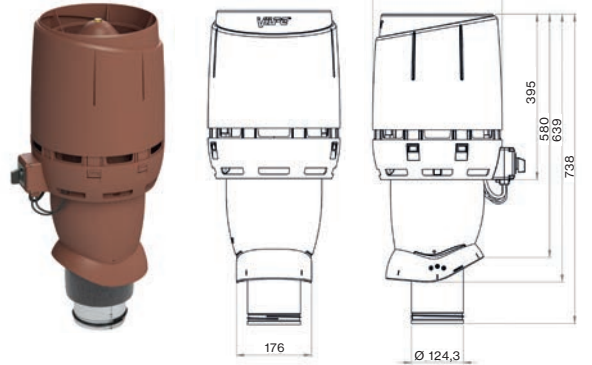
Colour Product No.

## VILPE® ECO125P/500 FLOW ROOF FAN

**Description:** Energy efficient insulated roof fan with the FLOW-cowl. Uses a DC motor with a 0-10V control voltage. Includes a galvanized steel inner pipe with a lip seal and a built-in silencer. A VILPE® ECo controllers and a VILPE® pass-through chosen according to roof type and material sold separately.

**Contents:** Roof fan, screws, installation, operating and maintenance instructions.

- Black 350242
- Grey 350247
- Red 350248
- Brick red 350249
- Light grey 350241

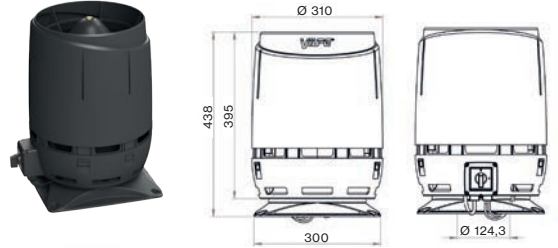


## VILPE® ECO125S FLOW ROOF FAN + INSTALLATION SET 300X300

**Description:** Energy efficient roof fan with the new Flow-cowl and a DC motor for the top of an air conduit or silencer, controlled with a 0-10 V voltage. An installation set for a flat surface is included. VILPE® ECo Controller is available separately.

**Contents:** Roof fan, installation set, screws, Installation, operating and maintenance instructions.

- Black 350202
- Grey 350207
- Red 350208
- Brick red 350209
- Light grey 350201

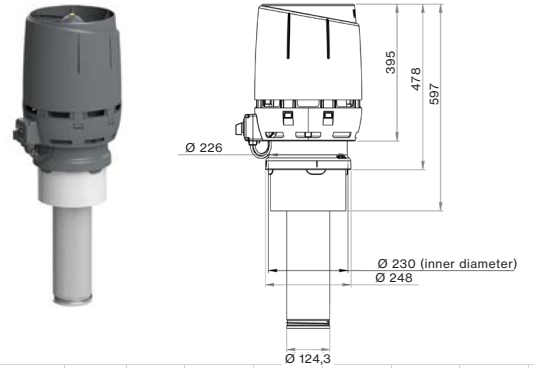


## VILPE® ECO125C/400 FLOW ROOF FAN

**Description:** Energy-efficient insulated roof fan with FLOW cowl and EC motor. Includes a galvanized steel inner pipe with a lip seal. The motor is preadjusted to 3V. Should be installed in a sheet metal cone with a Ø 170 mm opening, made by a tinsmith.

**Contents:** Roof fan, screws; installation, operating and maintenance instructions.

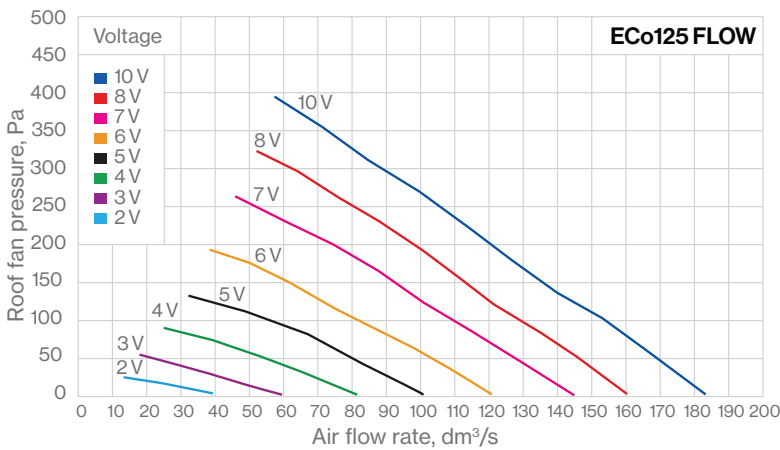
- Black 350572
- Grey 350577
- Light Grey 350571



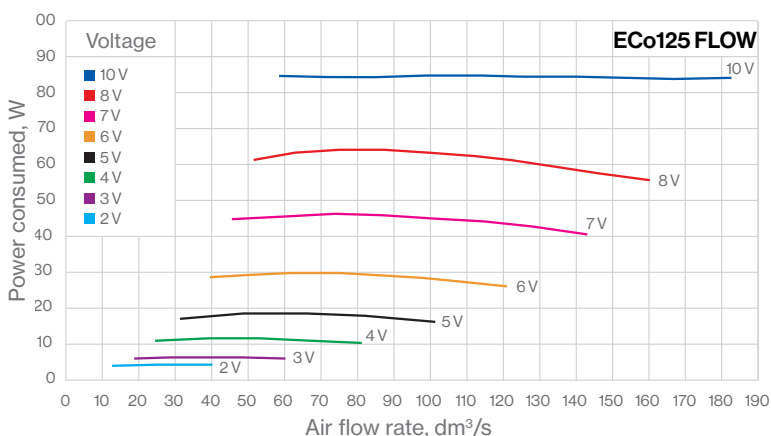
### ELECTRICAL DETAILS

Fan type	ECo125 FLOW
Power Input	83 W
Current	0.75 A
Nominal Voltage	230 V / 50 Hz
Speed	3200 r/min
Speed Controller	0-10 V

Air density 1.20 kg/m<sup>3</sup>



Air density 1.20 kg/m<sup>3</sup>



U	V	2	3	4	5	6	7	8	10
qv	dm <sup>3</sup> /s	25.9	38.9	53.0	66.2	86.0	102	112	126
pF	Pa	17.6	32.3	54.2	80.6	94.5	126	159	188
Pe	W	4.1	6.5	11.4	18.8	29.3	45.0	62.0	84.8
N	1/min	766	1088	1446	1786	2129	2488	2770	3069
Duct									
LW63	dB	*	*	*	*	*	77.5	71.7	78.3
LW125	dB	*	55.4	60.1	64.0	68.2	70.7	71.5	72.8
LW250	dB	*	47.5	53.3	59.3	62.2	65.8	67.6	70.0
LW500	dB	*	*	42.5	47.0	50.6	53.9	56.4	58.8
LW1000	dB	*	*	30.0	33.8	38.2	41.6	44.1	46.7
LW2000	dB	*	*	*	*	30.6	34.6	37.4	40.4
LW4000	dB	*	*	*	*	*	32.4	36.3	40.1
LW8000	dB	*	*	*	*	*	32.0	35.8	39.5
LW	dB	*	*	*	*	71.2	78.5	75.5	79.9
LWA	dB(A)	*	*	48.0	52.5	56.1	59.7	61.1	63.2
Environment									
LW63	dB	*	*	44.7	47.6	50.4	52.3	54.7	56.3
LW125	dB	38.2	43.9	48.9	52.8	56.8	57.6	60.6	61.6
LW250	dB	35.0	42.7	49.0	53.4	58.2	61.3	64.2	66.4
LW500	dB	44.8	48.3	54.4	58.9	62.7	65.6	68.7	70.8
LW1000	dB	43.8	49.7	54.0	57.5	61.4	64.6	67.5	69.8
LW2000	dB	*	41.8	52.7	59.4	64.4	67.1	69.4	71.1
LW4000	dB	*	*	39.4	47.5	54.1	59.2	64.3	67.0
LW8000	dB	*	*	*	37.8	45.5	52.4	56.9	60.5
LW	dB	*	53.7	59.6	64.4	68.8	71.7	74.6	76.7
LWA	dB(A)	46.2	51.8	58.3	63.5	68.1	71.1	74.0	76.1

# ECo160 FLOW Roof fans

Colour

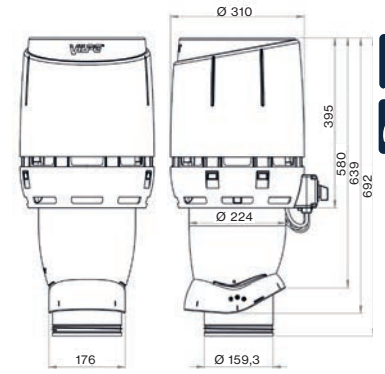
Product No.

## VILPE® ECO160P/500 FLOW ROOF FAN

**Description:** Energy efficient insulated roof fan with the FLOW cowl. Uses a DC motor with a 0-10 V control voltage. Includes a galvanized steel inner pipe with a lip seal. A VILPE ECo controllers and a VILPE pass-through chosen according to roof type and material sold separately.

**Contents:** Roof fan, screws, installation, operating and maintenance instructions.

- Black 350252
- Grey 350257
- Red 350258
- Brick red 350259
- Light grey 350251

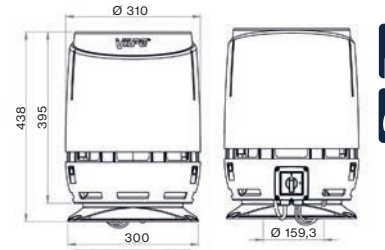


## VILPE® ECO160S FLOW ROOF FAN + INSTALLATION SET 300X300

**Description:** Energy efficient roof fan with the FLOW cowl and a DC motor for the top of an air conduit or silencer, controlled with a 0-10 V voltage. An installation set for a flat surface is included. VILPE ECo Controller is available separately.

**Contents:** Roof fan, installation set, screws, installation, operating and maintenance instructions.

- Black 350212
- Grey 350217
- Red 350218
- Brick red 350219
- Light grey 350211

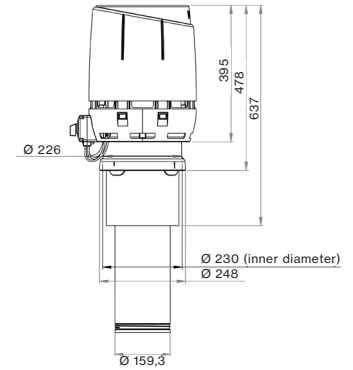


## VILPE® ECO160C/400 FLOW ROOF FAN

**Description:** Energy-efficient insulated roof fan with FLOW cowl and EC motor (with 0-10V control voltage). Includes a galvanized steel inner pipe with a lip seal. Should be installed in a sheet metal cone with a Ø 170 mm opening, made by a tinsmith.

**Contents:** Roof fan, screws; installation, operating and maintenance instructions.

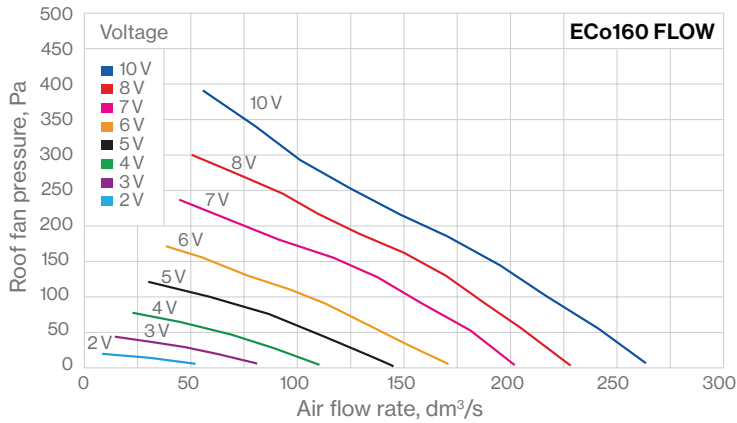
- Black 350582
- Grey 350587
- Light Grey 350581



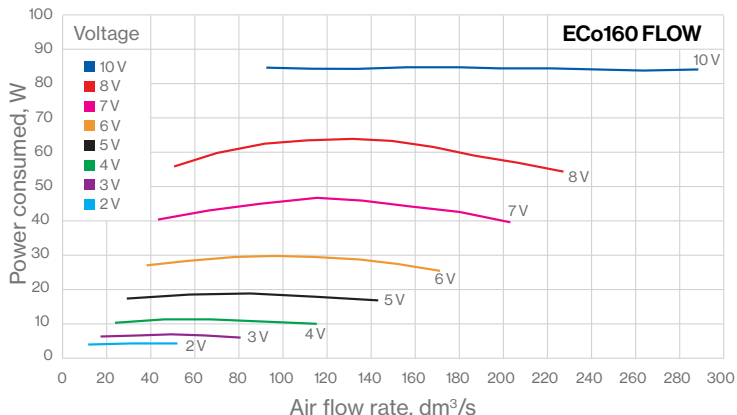
### ELECTRICAL DETAILS

Fan type	ECo160 FLOW
Power Input	85 W
Current	0.7 A
Nominal Voltage	230 V / 50 Hz
Speed	2580 r/min
Speed Controller	0-10 V

Air density 1.20 kg/m<sup>3</sup>



Air density 1.20 kg/m<sup>3</sup>



U	V	2	3	4	5	6	7	8	10
qv	dm <sup>3</sup> /s	32.1	49.1	68.5	86.2	113	135	149	170
pF	Pa	15.8	31.0	49.2	77.5	94.5	130	164	182
Pe	W	4.1	6.8	11.4	19.2	29.7	46.3	63.8	82.6
N	1/min	616	879	1145	1430	1699	2000	2228	2431

Duct									
LW63	dB	*	*	*	64.0	65.2	68.1	69.7	71.6
LW125	dB	*	59.6	63.3	70.9	70.5	72.9	74.3	76.3
LW250	dB	*	50.8	57.7	62.6	66.4	70.0	72.4	72.9
LW500	dB	38.4	45.8	51.4	55.8	59.6	62.8	65.0	67.1
LW1000	dB	30.9	40.8	47.1	51.9	55.7	59.2	61.4	63.2
LW2000	dB	*	30.4	39.5	46.3	51.5	55.0	57.5	59.7
LW4000	dB	*	*	*	38.0	44.0	49.4	52.9	55.8
LW8000	dB	*	*	*	*	37.2	44.1	48.4	51.4
LW	dB	*	62.6	*	72.4	73.1	75.9	77.7	79.3
LWA	dB(A)	*	48.6	54.1	60.3	62.5	66.0	68.3	70.1

Environment									
LW63	dB	*	*	*	*	48.9	51.9	54.2	54.6
LW125	dB	*	44.2	47.8	54.1	54.0	56.9	59.4	62.4
LW250	dB	*	43.9	50.4	54.4	57.9	61.7	64.5	65.9
LW500	dB	*	43.8	49.4	53.9	58.4	61.8	63.0	65.2
LW1000	dB	*	43.0	49.6	54.4	58.2	62.0	64.2	66.1
LW2000	dB	*	38.2	46.4	53.2	58.4	62.6	65.3	67.5
LW4000	dB	*	*	36.7	44.7	50.7	56.1	59.8	62.9
LW8000	dB	*	*	*	38.1	46.8	53.9	58.3	61.4
LW	dB	*	*	56.3	61.2	65.0	68.9	71.3	73.5
LWA	dB(A)	*	46.5	53.3	58.8	63.3	67.5	70.1	72.4

# ECo200 FLOW XL Roof fans

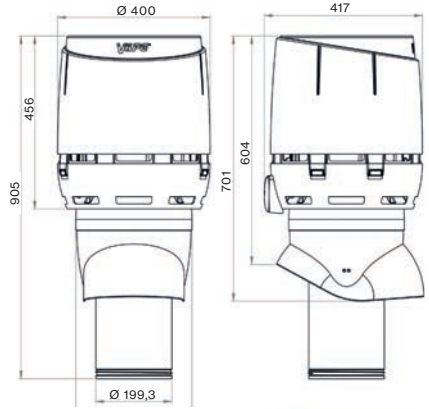
Colour Product No.

## VILPE® ECO200P/500 FLOW XL ROOF FAN

**Description:** Energy efficient insulated roof fan with the FLOW cowl. Uses a DC motor with a 0–10 V control voltage. Includes a galvanized steel inner pipe with a lip seal. A VILPE ECo controllers and a VILPE XL pass-through chosen according to roof type and material sold separately.

**Contents:** Roof fan, screws, installation, operating and maintenance instructions.

- Black 350302
- Grey 350327
- Red 350328
- Brick red 350329

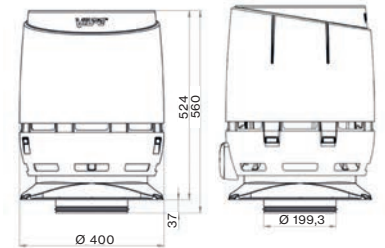


## VILPE® ECO200S FLOW XL ROOF FAN + INSTALLATION SET 400X400

**Description:** Energy efficient insulated roof fan with the FLOW cowl and a DC motor for the top of an air conduit or silencer, controlled with a 0–10 V voltage. If installed on a flat surface a separate installation set is required.

**Contents:** Roof fan, installation set, screws, installation, operating and maintenance instructions.

- Black 350312
- Grey 350317
- Red 350318
- Brick red 350319

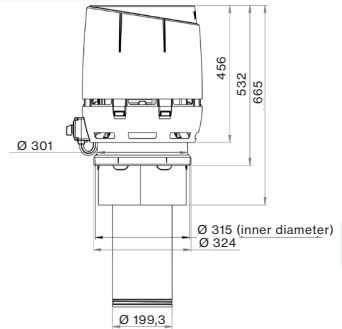


## VILPE® ECO200C/400 FLOW XL ROOF FAN

**Description:** Energy efficient insulated roof fan with the FLOW cowl. Uses a DC motor with a 0–10 V control voltage. Includes a galvanized steel inner pipe with a lip seal. Should be installed in a sheet metal cone with a Ø 315 mm opening, made by a tinsmith.

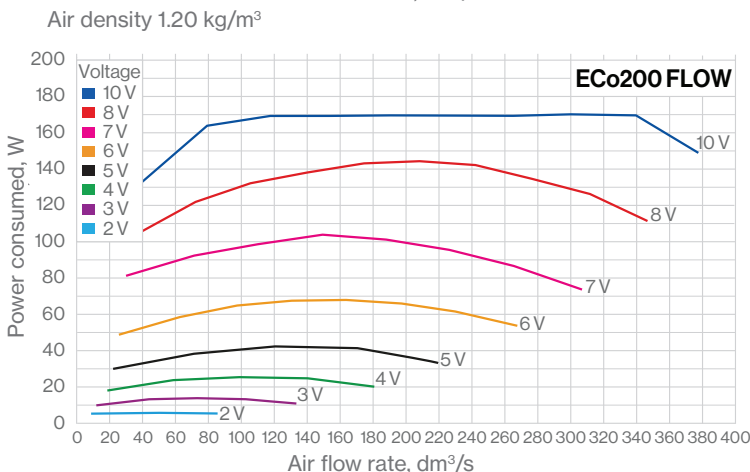
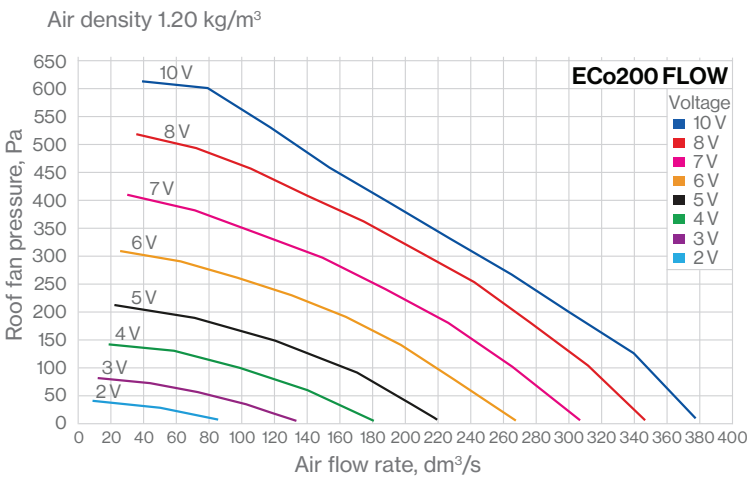
**Contents:** Roof fan, screws; installation, operating and maintenance instructions.

- Black 350592
- Grey 350597



### ELECTRICAL DETAILS

Fan type	ECo200 FLOW
Power Input	170 W
Current	1.40 A
Nominal Voltage	230 V / 50 Hz
Speed	2510 r/min
Speed Controller	0-10 V



U	V	2	3	4	5	6	7	8	10
qv	dm <sup>3</sup> /s	50.4	73.4	98.5	119	164	189	208	227
Duct		26.3	57.2	100	149	188	243	310	333
Pe	W	6.3	12.8	25.2	42.1	69.1	103	144	170
N	1/min	650	946	1252	1518	1812	2068	2313	2513
Duct									
LW63	dB	*	*	60.8	65.3	69.8	70.6	72.8	73.1
LW125	dB	49.2	58.0	64.1	66.4	68.1	70.8	73.1	74.7
LW250	dB	44.3	52.4	57.8	63.3	68.4	70.7	73.1	73.4
LW500	dB	39.6	46.5	52.1	56.8	60.7	63.8	66.3	67.8
LW1000	dB	39.3	43.9	47.9	52.6	56.4	59.8	62.0	63.2
LW2000	dB	*	37.5	47.6	51.9	56.2	58.7	61.1	62.3
LW4000	dB	*	*	37.2	44.1	51.3	55.8	59.1	61.3
Environment		*	*	*	34.9	42.4	47.7	51.5	53.4
LW	dB	*	61.0	66.7	70.3	74.0	76.0	78.3	79.2
LWA	dB(A)	42.5	49.4	55.5	60.0	64.2	67.2	69.8	71.0
Environment									
LW63	dB	*	44.0	48.8	52.9	56.1	58.6	60.3	61.6
LW125	dB	38.8	47.8	56.3	57.0	57.0	59.5	62.2	63.6
LW250	dB	39.3	47.8	54.2	59.6	63.9	67.6	70.4	70.7
LW500	dB	38.1	48.0	52.3	58.3	61.5	64.0	67.1	68.2
LW1000	dB	40.9	46.0	51.0	55.2	59.0	62.6	65.3	66.8
LW2000	dB	28.8	43.9	52.5	56.7	60.7	63.6	66.1	67.3
LW4000	dB	*	*	37.7	45.0	52.1	56.6	60.2	62.4
LW8000	dB	*	*	32.0	41.7	50.8	56.4	60.4	62.3
LW	dB	46.6	54.4	61.0	64.9	68.5	71.7	74.5	75.6
LWA	dB(A)	42.3	50.8	57.1	61.8	65.7	69.0	71.8	73.2

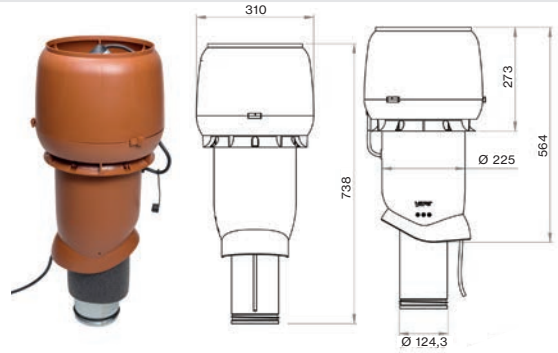
# E190 Roof fans

## VILPE® E190P/Ø125/500 ROOF FAN

**Description:** Insulated roof fan with an AC motor. The pipe has a 50 mm built-in silencer. Inner pipe is made of perforated, galvanized steel and has a lip seal. A VILPE pass-through according to the roofing material is required separately.

**Contents:** Roof fan, screws, installation, operating and maintenance instructions.

Colour	Product No.
Black	73592
Grey	73597
Red	73598
Brick red	73599
Light grey	

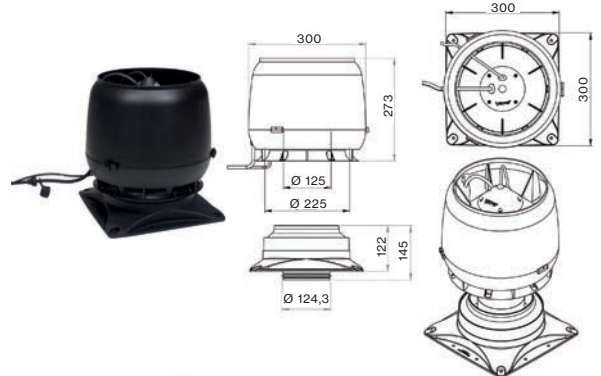


## VILPE® E190S/Ø125 ROOF FAN + INSTALLATION SET

**Description:** Roof fan with an AC motor. Installed on the top of an air conduit or silencer. An installation set for a flat surface is included.

**Contents:** Roof fan, installation set, screws, installation, operating and maintenance instructions.

Black	737522
Grey	737527
Red	737528
Brick red	737529
Light grey	737521

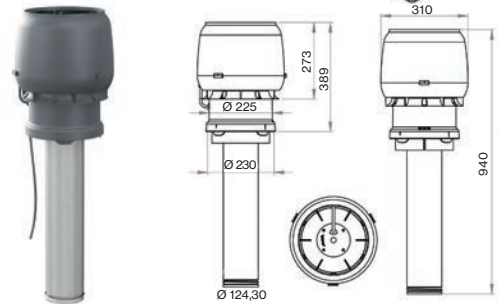


## VILPE® E190C/125/400 ROOF FAN

**Description:** Insulated roof fan. Includes a galvanized steel inner pipe with a lip seal. Should be installed in a sheet metal cone with a Ø 230 mm opening, made by a tinsmith.

**Contents:** Roof fan, screws; installation, operating and maintenance instructions.

Black	791402
Grey	791407
Light Grey	791401

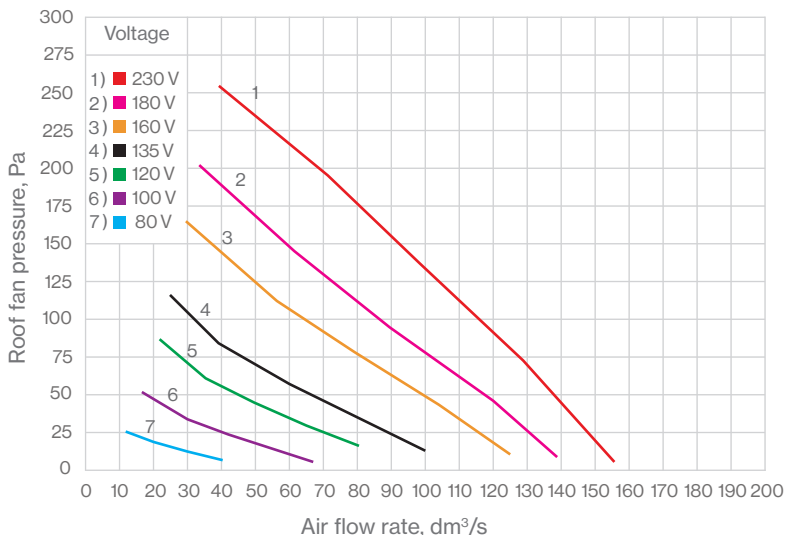


### ELECTRICAL DETAILS

Fan type	E190
Power Input	52 W
Current	0,23 A
Nominal Voltage	230 V / 50 Hz
Speed	2350 r/min
Capacitor	1.5 µF
Speed Controller	Thyristor or transformer

E190P / 125		60 V	110 V	135 V	165 V	180 V	230 V
qV1	l/s <sup>3</sup>	21.6	35.4	52.1	59.9	64.7	79.5
ptF	Pa	7	55	73	121	137	174
PE	W	8.0	25.0	35.7	49.0	54.7	80.0
ηtE	-	0.019	0.077	0.107	0.148	0.162	0.173
n	1/min	532	1226	1510	1874	2002	2322
Duct							
LW63	dB	43.4	52.7	56.1	59.2	60.1	63.3
LW125	dB	52.6	69.5	75.0	76.9	76.8	78.3
LW250	dB	42.6	61.0	68.2	73.1	73.6	75.4
LW500	dB	0.0	47.7	53.9	58.3	60.0	64.4
LW1000	dB	18.8	46.2	52.1	59.2	61.1	63.4
LW2000	dB	*	36.4	44.4	49.6	50.7	54.4
LW4000	dB	*	26.0	34.1	42.2	43.5	47.5
LW8000	dB	*	*	19.4	31.3	34.0	38.9
LW	dB	53.5	70.2	75.9	78.6	78.7	80.4
LWA	dB (A)	39.4	57.6	63.7	67.3	68.1	70.4

Air density 1.20 kg/m<sup>3</sup>



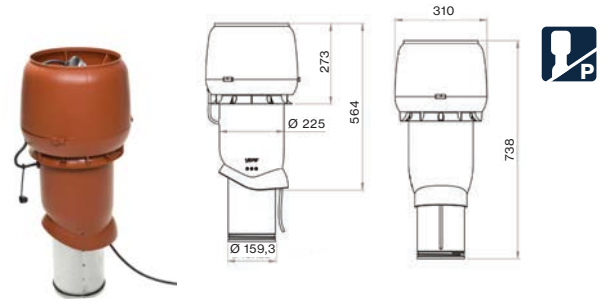
# E220 Roof fans

Colour Product No.

## VILPE® E220P/Ø160/500 ROOF FAN

**Description:** Insulated roof fan. Includes a galvanized steel inner pipe with a lip seal. VILPE pass-throughs suitable for a range of roofing types and material are available separately.  
**Contents:** Roof fan, screws, installation, operating and maintenance instructions.

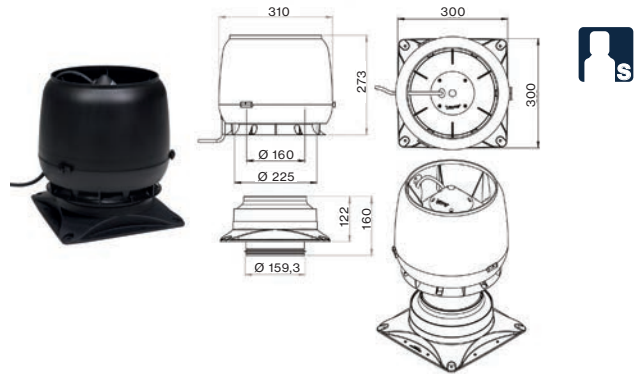
- Black 73472
- Grey 73477
- Red 73478
- Brick Red 73479
- Light Grey 73471
- Anthracite 7347D



## VILPE® E220S/Ø160 ROOF FAN + INSTALLATION SET

**Description:** Roof fan with an AC motor. Installed on the top of an air conduit or silencer. An installation set for a flat surface is included.  
**Contents:** Roof fan, installation set, screws, installation, operating and maintenance instructions.

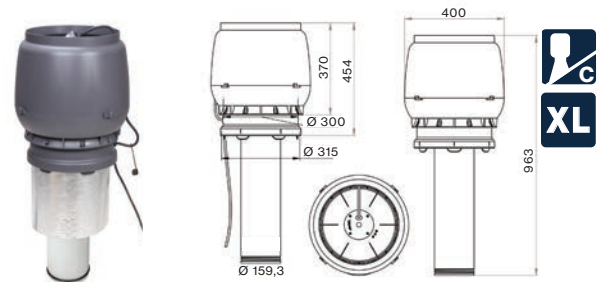
- Black 737502
- Grey 737507
- Red 737508
- Brick red 737509
- Light grey 737501



## VILPE® E220C/Ø160/450 XL ROOF FAN

**Description:** Insulated XL roof fan. Includes a galvanized steel inner pipe with a lip seal. Should be installed in a sheet metal cone with a Ø 315 mm opening, made by a tinsmith.  
**Contents:** Roof fan, screws; installation, operating and maintenance instructions.

- Black 791352
- Grey 791357
- Light Grey 791351

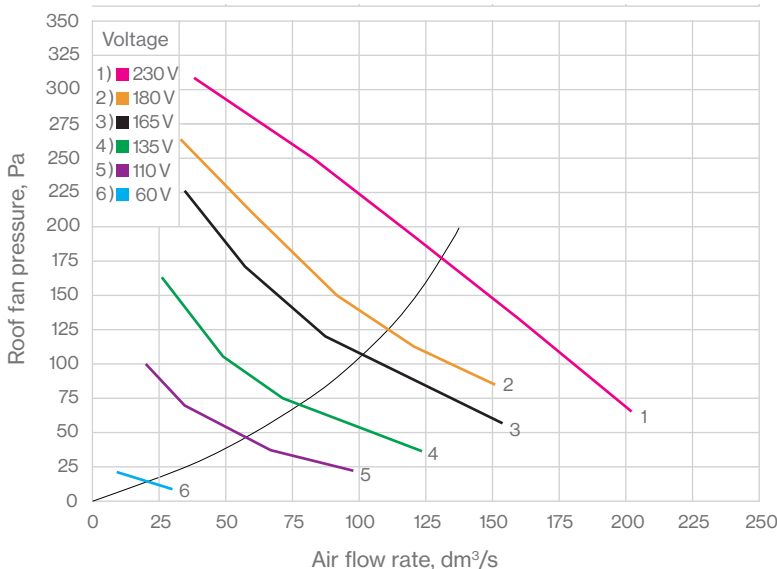


### ELECTRICAL DETAILS

Fan type	E220
Power Input	85 W
Current	0.39 A
Nominal Voltage	230 V / 50 Hz
Speed	2100 r/min
Capacitor	2 µF
Speed Controller	Thyristor or transformer

E220P / 160		60 V	110 V	135 V	165 V	180 V	230 V
qV1	dm³/s	30.4	67.8	72.7	88.5	121.6	160.6
p tF	Pa	9	37	74	118	110	130
PE	W	10.0	30.0	43.0	60.7	69.0	99.0
ηtE	-	0.028	0.083	0.125	0.172	0.194	0.211
n	1/min	518	1077	1386	1727	1892	2266
Duct	l						
L W63	dB	45.6	52.9	61.7	64.6	60.1	62.2
L W125	dB	50.0	66.0	71.5	76.3	72.2	74.3
L W250	dB	42.8	59.4	64.8	70.4	67.9	70.5
L W500	dB	26.2	48.5	52.7	58.1	61.1	65.0
L W1000	dB	35.0	49.6	53.5	57.8	60.7	64.6
L W2000	dB	21.0	40.4	47.0	52.5	56.2	60.8
L W4000	dB	*	30.4	39.1	45.9	49.0	56.6
L W8000	dB	*	*	24.8	34.0	38.0	44.3
LW	dB	52.0	67.2	72.8	77.7	74.3	76.8
L WA	dB (A)	39.6	56.0	61.2	66.4	66.1	69.7

Air density 1.20 kg/m³





## ECO110 FLOW, ECO125 FLOW, ECO160 FLOW, ECO200 FLOW

### VILPE®ECO MONITOR DRIVE CONTROLLER

**Description:** For monitoring and control of VILPE ECo roof fans. Can monitor rotation speed signals from 1 - 5 fans. Isolated alarm output and a faulty fan LED. Optional 0 - 10 V input for speed control, adjustable by an internal trimmer from 0 - 100 %. 10 V 1 mA operating voltage that can be provided from the fan (Patent 2431303).  
**Contents:** ECo Monitor, instructions.

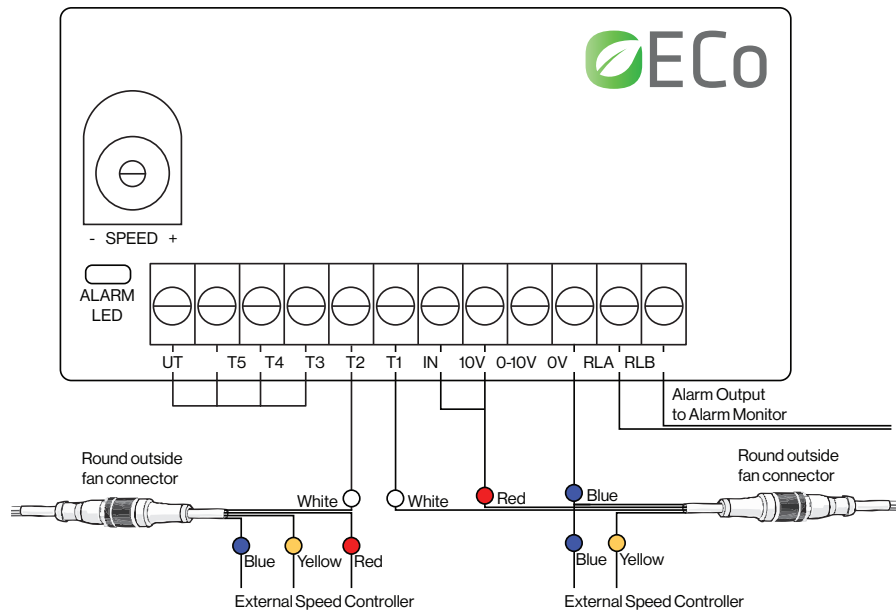
Product No. 735029



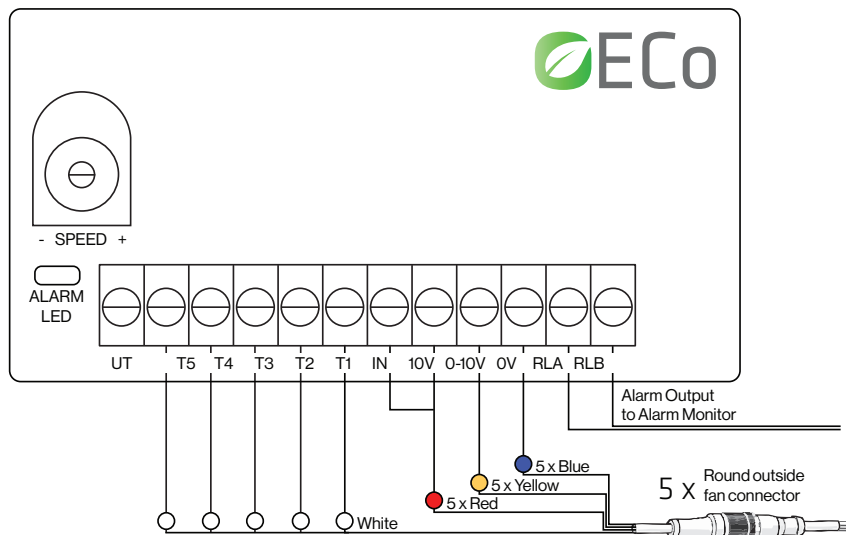
#### PROPERTIES

Supply Voltage	10 V + 10 % DC
Supply Current	Up to 1 mA
Isolated Alarm Output rating	Contacts 100 mA, 60 V, 100 mW Max
Tachometer Inputs	Open Collector fan Tachometer (1 - 5)
External Control Input	0 - 10 V, 100 kOhm load
Control Output	Fan speed control signal, 0 - 10 V, 2 kHz PWM
Operating Environment	-20 °C to +60 °C, 90% RH at 40 °C max

Example wiring:  
2 fan monitor,  
no on-board speed control



Example wiring:  
5 fan monitor,  
on-board speed control



# Controllers

E120, E190, E220

## VILPE® CONTROLLER 2299 UCJ

**Description:** For adjusting the rotation speed of a roof fan. Flush mounting. IP 20.  
**Contents:** Controller.

Product No. 735024



## VILPE® CONTROLLER 2299 AG

**Description:** For adjusting the rotation speed of a roof fan. Surface mounting. IP 44. Contents: Controller.

Product No. 735022

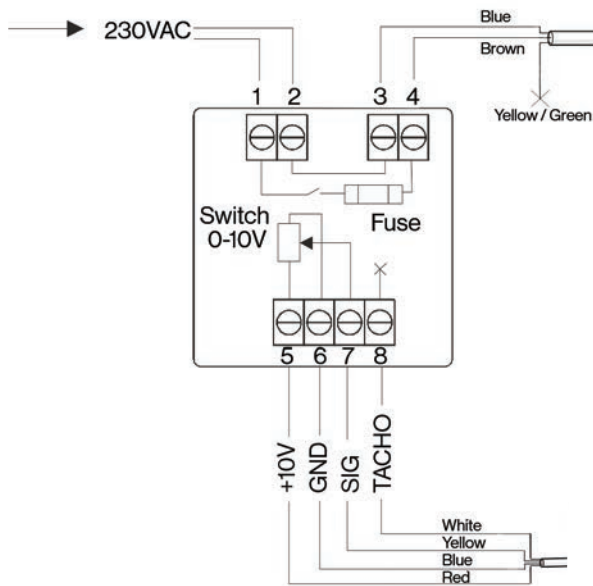


ECO110 FLOW, ECO125 FLOW, ECO160 FLOW, ECO200 FLOW

## VILPE® ECO CONTROLLER 0-10 V

**Description:** Stepless ECo Controller for manual control of the rotation speed of the motors of VILPE ECo roof fans. The controller provides the 0-10 V output signal and the minimum is adjustable. The splash proof ECo Controller is suited for both flush and surface mounting.  
**Contents:** Controller.

Product No. 735028



### PROPERTIES

Voltage:	230V AC
Control voltage:	0 - 10 V
Minimum voltage adjustable by internal trimmer:	0 - 1,6V DC
Protection level:	IP40/54
Mounting:	Surface and flush
Operation temperature:	0...40 °C
Splash resistant casing	
Internal 6.3 A fuse for the 230 V input of the roof fan	

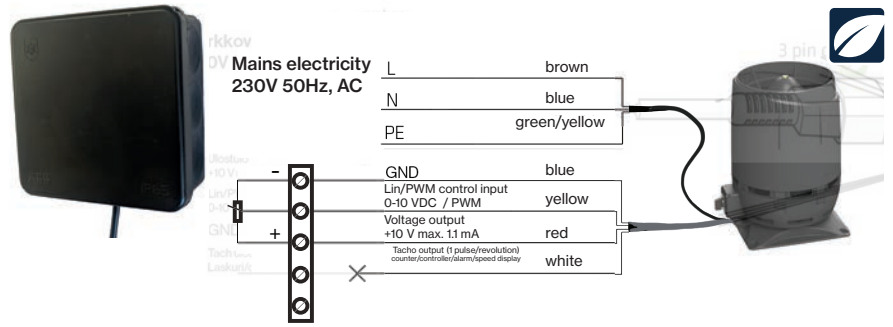


ECO110 FLOW, ECO125 FLOW, ECO160 FLOW, ECO200 FLOW

VILPE® ECO POTENTIOMETER

**Usage:** Potentiometer for stepless steering of EC roof fan speed. Voltage signal 0-10 V from the potentiometer. Installation on surface. IP65.  
**Contents:** Controller, instructions.

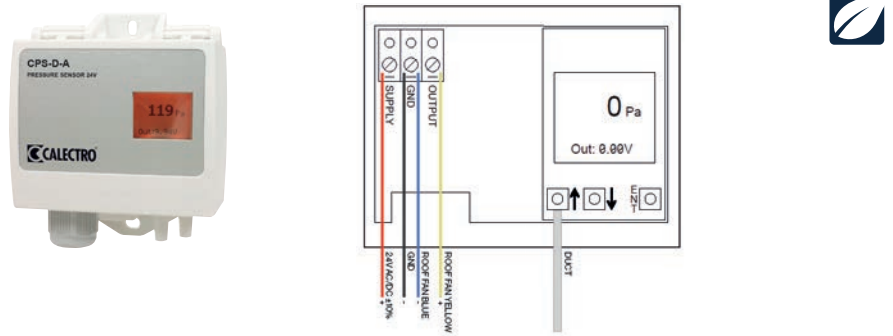
Product No. 735038



VILPE® PRESSURE CONTROLLER 24 V

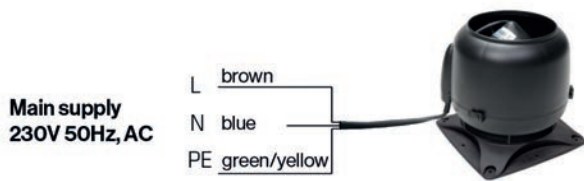
**Description:** Measures the pressure in the ventilation duct and keeps the pressure constant by adjusting the roof fan. Compatible with EC fans. Wall mounted. IP54. Dimensions: 78 x 90 x 40 mm.  
**Contents:** Pressure controller, installation instructions, hose, 2 measuring gauges.

**CONTROLLER** Product No. 735036  
**POWER SUPPLY** Product No. 735037

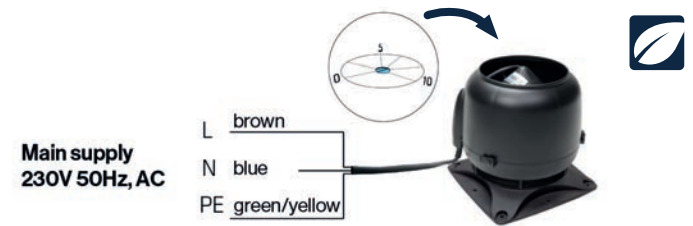


Wiring diagrams for roof fans

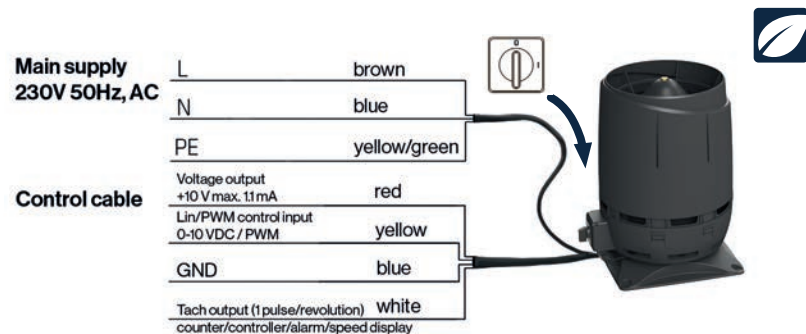
E120, E190, E220



ECo110

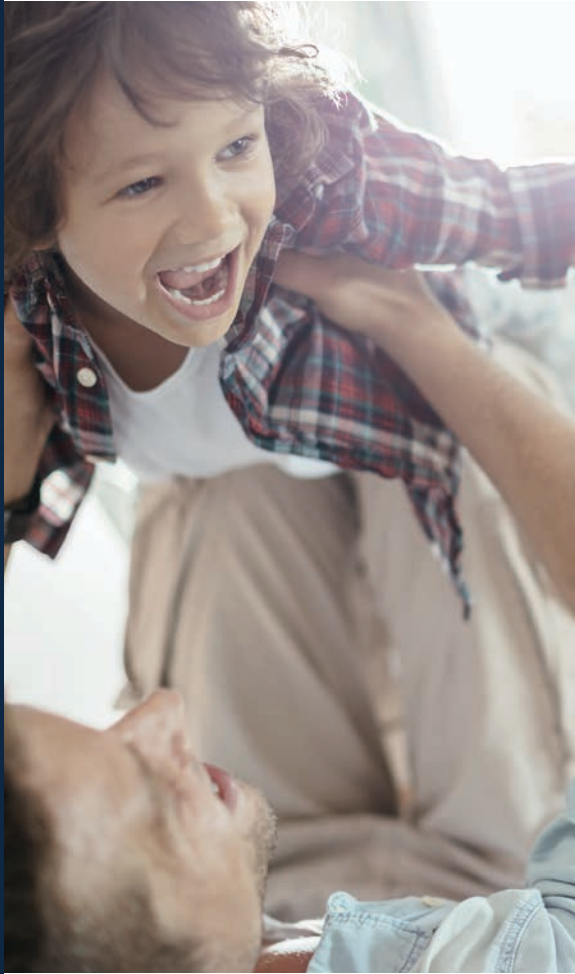


ECe110 FLOW, ECe125 FLOW, ECe160 FLOW, ECe200 FLOW





# VILPE® ECo Ideal Wireless



## AUTOMATICALLY CONTROLS THE VENTILATION IN YOUR HOUSE

Whether you are renovating or building from scratch, the demand-controlled and energy saving VILPE ECo Ideal Wireless is an excellent choice for an easy and budget-friendly implementation for your ventilation needs. ECo Ideal Wireless is well-suited for both old and new buildings and is an excellent solution for ventilation of warehouses and garages. The ventilation control system automatically adjusts ventilation to always secure excellent air quality while at the same time saving energy. The product's wireless sensors measure the relative humidity (RH) and carbon dioxide (CO<sub>2</sub>) levels in the air and automatically send this information to the control unit.

VILPE ECo Ideal Wireless system is an ideal solution if you wish to convert an existing natural ventilation system to a mechanical ventilation system. It is also an easy and cost-efficient opportunity to turn a mechanical ventilation system into a demand-controlled ventilation system that saves you both energy and money.

The VILPE ECo Ideal Wireless ventilation solution comprises the ECo Ideal Wireless control unit and RH Sensor and, if necessary, a CO<sub>2</sub> Sensor. The VILPE ECo Ideal Wireless system is used together with VILPE ECo roof fan (and a potential VILPE roof pass-through).

## DEMAND-CONTROLLED VENTILATION

- Automatically adjusted
- Wireless sensors and user panel
- Payback period 5 years
- Saves electricity\*
- VILPE guarantees

## USAGE

- For builders and renovators
- Ventilation of humid spaces
- Ventilation of the garage
- Improving the efficiency of existing ventilation systems

\*Example: Ventilation of a 120 m<sup>2</sup> house with VILPE ECo roof fan + ECo Ideal Wireless vs. ventilation with AC roof fan results in energy savings of 2600 kWh/y.

## Controllers

Product No.

### VILPE® ECO IDEAL WIRELESS VENTILATION CONTROL

**Description:** Wireless control system for demand controlled ventilation. Can be used to control VILPE ECo roof fans, Includes a control unit (CU) wireless user panel (UP) and a wireless relative humidity (RH) sensor. Carbon dioxide sensors (CO<sub>2</sub>) sold separately.

**Contents:** User Panel (UP), Control Unit (CU), Relative Humidity Sensor (RH), installation instructions.

735030



### VILPE® ECO IDEAL WIRELESS RH SENSOR

**Description:** A Relative humidity sensor for the VILPE ECo Ideal Wireless demand controlled ventilation system.

**Contents:** Relative humidity (RH) sensor, installation instructions

735031



### VILPE® ECO IDEAL WIRELESS CO<sub>2</sub> SENSOR

**Description:** A Carbon dioxide sensor for the VILPE ECo Ideal Wireless demand controlled ventilation system.

**Contents:** Carbon dioxide (CO<sub>2</sub>) sensor, installation instructions.

735032



### VILPE® ECO IDEAL WIRELESS CU CONTROL UNIT

**Description:** A Control unit for the VILPE ECo Ideal Wireless demand controlled ventilation system.

**Contents:** Control unit (CU), installation instructions.

735033



### VILPE® ECO IDEAL WIRELESS UP USER PANEL

**Description:** A User panel for the VILPE ECo Ideal Wireless demand controlled ventilation system.

**Contents:** User panel (UP), installation instructions.

735034



> [VILPE.COM/ECO](http://VILPE.COM/ECO)

## A smart system for humidity control

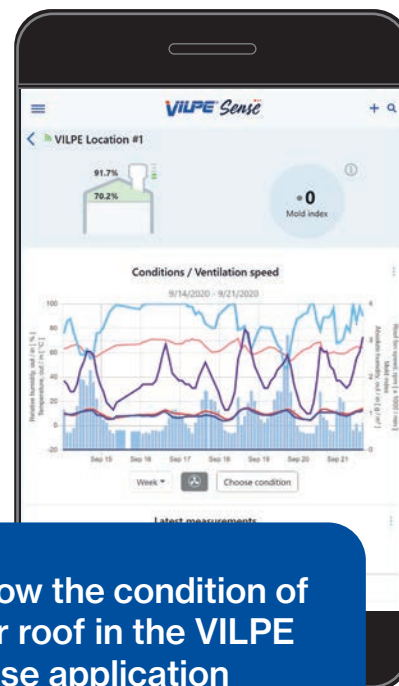


AUTOMATIC ALERT OF POTENTIAL LEAKS  
AUTOMATIC DEMAND-BASED DRYING OF THE INSULATION LAYER

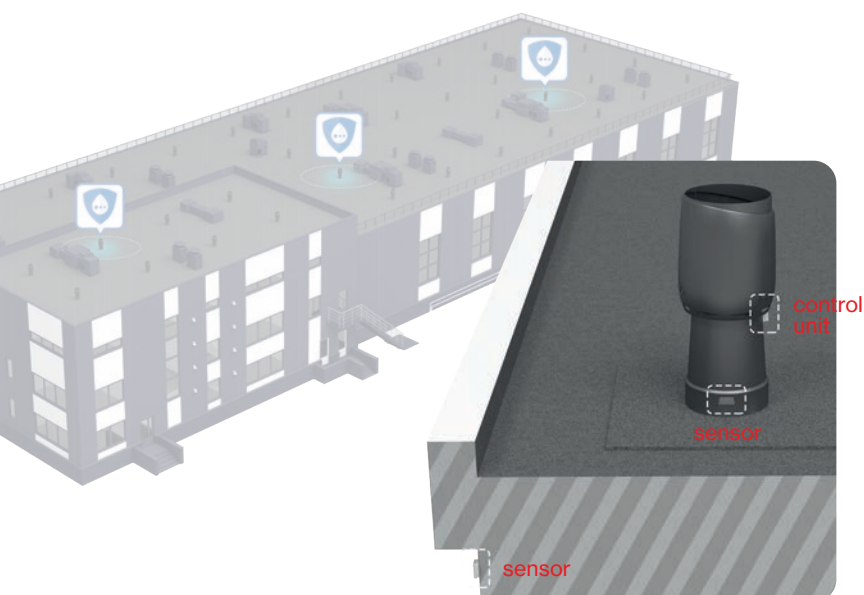


The VILPE Sense system is based upon the latest IoT-technology and combines two functions - humidity monitoring and humidity damage prevention. The system will find and alert you to even the smallest hard-to-find leaks, so that these can be fixed before they grow into bigger and more expensive problems. The VILPE Sense system also dries the insulation layer when necessary: for instance, after rain or during humid autumns that can cause humidity damages even though there are no leakages in the roof.

The solution consists of a VILPE's roof fan with an EC motor, combined with a control unit, mobile base station, and two or more sensors. The sensor detects an increase in humidity levels within the structure of the roof, and the data is transmitted by wireless sensors to the control unit attached to the roof fan, then to the mobile base station for upload to the cloud. The system can be installed under pressure ventilation pipes so that the structures remain intact. If the system detects excess humidity in the insulation layer, the roof fan is automatically activated to work at a higher speed until the structure is dry.



Follow the condition of your roof in the VILPE Sense application



Through the VILPE Sense application, the condition of your building can be checked at any time, and the system will automatically alert you in cases of potential leakage. This data can also be safely exported to any complete home automation system.

> [VILPE.COM/EN/SENSE](https://vilpe.com/en/sense)

### VILPE® SENSE

**Description:** Consists of two sensors and a control unit which are linked to an ECo Roof fan. This smart system detects and alerts you to potential leakages and other humidity problems, for instance on the roof or underfloor. The system also dries the insulation layer when necessary. Through the VILPE Sense application, you can check the condition of one or several buildings at any time.

**Contents:** Control unit, two sensors.

Model	Product No.
-------	-------------

Basic kit	735040
Sensor	735041





Printed matter  
4041 0822



## Guaranteed excellent quality

The VILPE products create better indoor air, improve energy efficiency and prolong the lifetime of buildings. The products are manufactured by a Finnish family business VILPE which is the leading manufacturer and developer of ventilation and special roofing products in Finland, Baltics, Russia and Scandinavia.

The products are of excellent quality and are durable, which is why we offer a 20-year warranty of technical parts and 10-year colour warranty. The management system of VILPE Oy has been granted both the ISO 9001:2015 quality certificate the ISO 14001:2015 environmental certificate. These certificates cover product development, manufacturing and sales of VILPE products.

## Responsibility for environment and people

We at VILPE take concrete actions to support environmentally sustainable production. The largest green energy investment in our history has been replacing oil with geothermal heat. This reduces the CO2 emissions of the factory by 330 tons annually. We also design energy efficient products. Our goal is to increase the plastics recycling possibilities during the whole lifetime of the product. Environmental sustainability is also a part of our machine investments.

Another important aspect is promoting social responsibility. Yearly, we invest 0.3 % of our turnover to support local welfare, such as, education, sports and disadvantaged children.



05-2021

> [VILPE.COM](https://vilpe.com)

**VILPE Oy**  
Kauppatie 9,  
FI-65610 Mustasaari

**Sales and Technical Support**  
Tel. +358 20 123 3222  
[sales@vilpe.com](mailto:sales@vilpe.com)

**VILPE®**  
Innovative and Easy



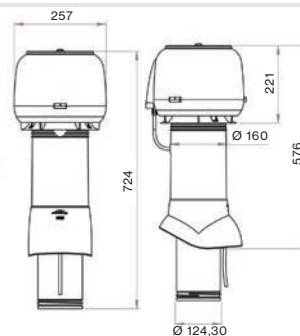
# E120 Roof fans

## VILPE® E120P/Ø125/500 ROOF FAN

**Description:** Insulated roof fan with an AC motor. Inner pipe is made of galva-nized steel and has a lip seal. A VILPE pass-through according to the roofing material is required separately.

**Contents:** Roof fan, screws, installation, operating and maintenance instructions.

Colour	Product No.
Black	73492
Grey	73497
Red	73498
Brick red	73499
Light grey	73491

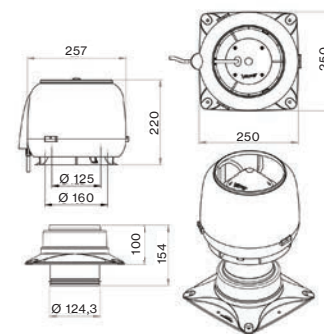


## VILPE® E120S/Ø125 ROOF FAN + INSTALLATION SET

**Description:** Roof fan with an AC motor. Installed on the top of an air conduit or silencer. An installation set for a flat surface is included.

**Contents:** Roof fan, installation set, screws, installation, operating and maintenance instructions.

Colour	Product No.
Black	737202
Grey	737207
Red	737208
Brick red	737209
Light grey	737201



### ELECTRICAL DETAILS

Fan type	E120
Power Input	52 W
Current	0.23 A
Nominal Voltage	230 V / 50 Hz
Speed	2350 r/min
Capacitor	1.5 µF
Speed Controller	Thyristor or transformer

E120P / 125		60 V	110 V	135 V	165 V	180 V	230 V
q V1	l/s	8.5	38.8	52.0	65.7	71.6	85.2
p tF	Pa	16	38	53	75	85	104
PE	W	9	27.0	37.7	51.0	57.3	82.7
ηtE	-	0.015	0.054	0.073	0.097	0.106	0.107
n	1/min	643	1237	1552	1901	2044	2355
Duct							
L W63	dB	47.6	54.9	57.4	60.8	61.9	65.4
L W125	dB	53.9	67.2	71.2	73.1	73.4	76.0
L W250	dB	52.0	64.4	70.3	72.9	73.2	75.0
L W500	dB	38.6	52.8	57.6	61.5	62.8	67.2
L W1000	dB	32.6	52.4	56.3	60.9	62.2	66.9
L W2000	dB	15.3	45.3	53.6	58.3	59.6	62.3
L W4000	dB	*	28.2	37.1	46.5	49.4	55.7
L W8000	dB	*	*	21.1	31.8	34.7	40.5
L W	dB	56.7	69.4	74.1	76.5	76.9	79.4
L WA	dB (A)	44.8	59.0	64.0	67.4	68.3	71.7

Air density 1.20 kg/m<sup>3</sup>

