



Fresh indoor air with the **VILPE® WIVE** intake vent

- Draft-free design
- No additional maintenance required
- Filters contaminants from the air
- Fast and easy filter change
- Easy installation
- Available with or without thermostat
- Can be painted or wallpapered
- Silencer sold separately
- Models available for walls or window vents



Wive



The wallpaper in the pictures is Nocturne 6331 from Boråstapeter, and the colour of the paint is V490 from Tikkurila.

BORÅSTAPETER



> [VILPE.COM/EN/WIVE](https://vilpe.com/en/wive)

All VILPE Wive 100 products are designed and manufactured in Finland.

Draft-free design

The VILPE Wive intake vent brings fresh outdoor air into the building. The vent is designed to prevent uncomfortable drafts as the air flow is directed upwards, where the fresh outside air mixes with the warm indoor air. This keeps the room temperature at an ideal level without the sense of a draft. The intake vent's cover is also insulated to prevent condensation.

Use & installation

The VILPE Wive intake vent is suitable for both new buildings and renovation projects. It can be used in detached houses, multi-apartment buildings and row houses. The intake vent can be installed in a wall or as a window vent. The VILPE Wive vent can also replace an old air intake vent or be installed as a completely new air intake route. Installing the VILPE Wive is quick and easy, as no coupling or wiring is necessary. The VILPE Wive is also available with or without a thermostat.

- The VILPE Wive intake vent with thermostat should only be used in buildings with passive ventilation. The thermostat adjusts automatically to the outdoor temperature, and therefore does not need to be manually regulated/maintained. The flap of the vent reacts to the outdoor temperature, so that at $-5\text{ }^{\circ}\text{C}$ the flap closes, leaving just a small opening for the outdoor air. The valve is completely open when the outdoor temperature reaches $+20\text{ }^{\circ}\text{C}$. If necessary, the vent can also be closed completely.
- The VILPE Wive intake vent without thermostat should be used in buildings with mechanical ventilation.

Additional parts

The high-quality filter of the VILPE Wive 100 intake vents effectively prevents contaminants like dust and pollen from entering the building. The filtration efficiency of the improved filter is ISO ePM₁₀ 75% (EN ISO 16890). Changing the **filter** is quick and easy, as no tools are necessary. Other maintenance is not required. A **silencer** can be purchased separately.

A **coarse filter** is available for the VILPE Wive 100 intake for window vent.

The VILPE Wive series' **fitting plate** suits all Wive intake vents. The fitting plate should be used when the hole of the old vent is too large for the VILPE Wive vent. The fitting plate covers the hole and the Wive can then be installed onto the plate. The VILPE Wive intake vents with thermostats should only be used in buildings with passive ventilation – for example, during ventilation system renovations. If the building is ventilated mechanically, Wive intake vents without thermostats should be used instead.

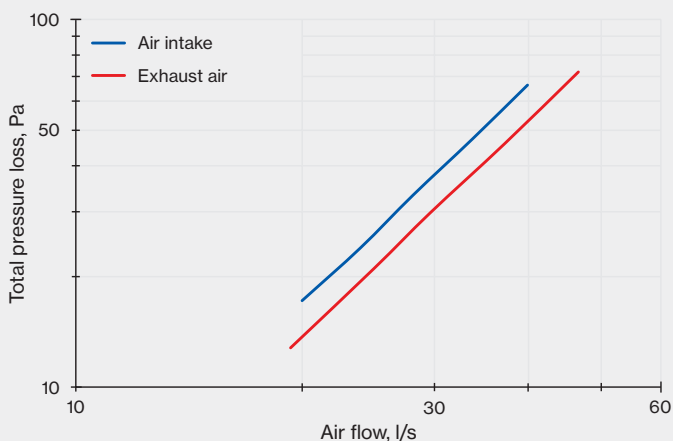
The **extension pipe** is required when the thickness of the wall is more than 440 mm. The extension pipe can be cut into suitable length.

The **VILPE Storm cover** is designed for use in exposed areas in which heavy winds and storms are common. It protects the ventilation duct and interior of the building from rainwater and snow, which might otherwise be blown inside. The product can also be used in outdoor air ventilation ducts in buildings with mechanical or passive ventilation. The storm cover is mounted onto the frame of a VILPE Multifunction grille 150x150. The grille part is removed in the installation.

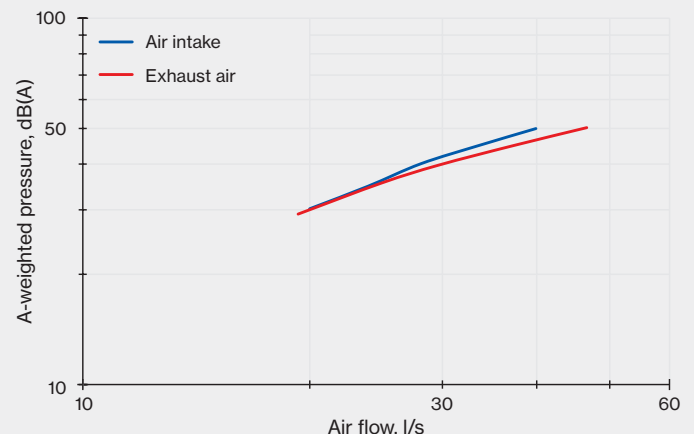


Multifunction grille 150x150 with Storm cover

Air flow data



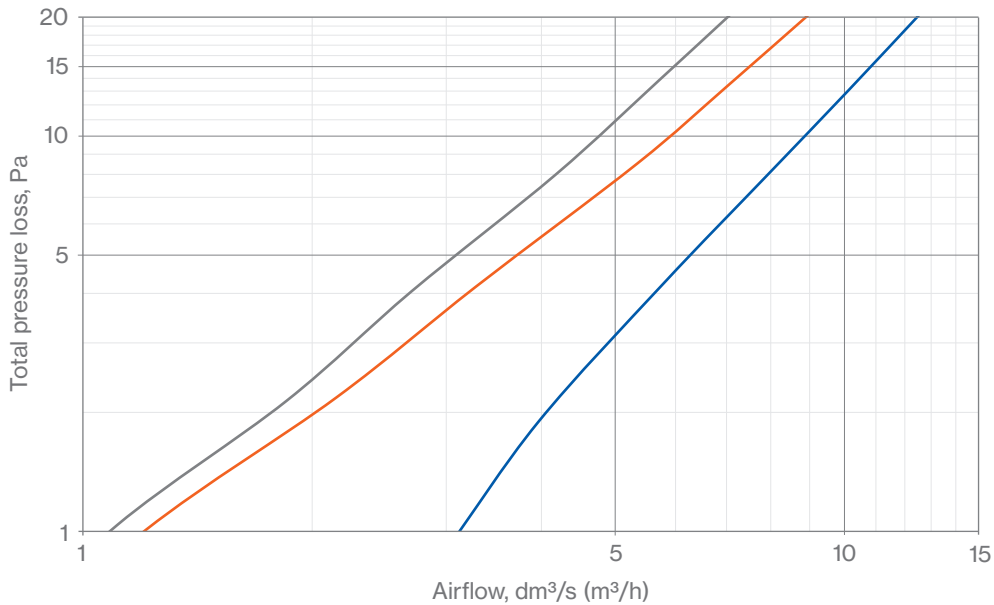
Noise



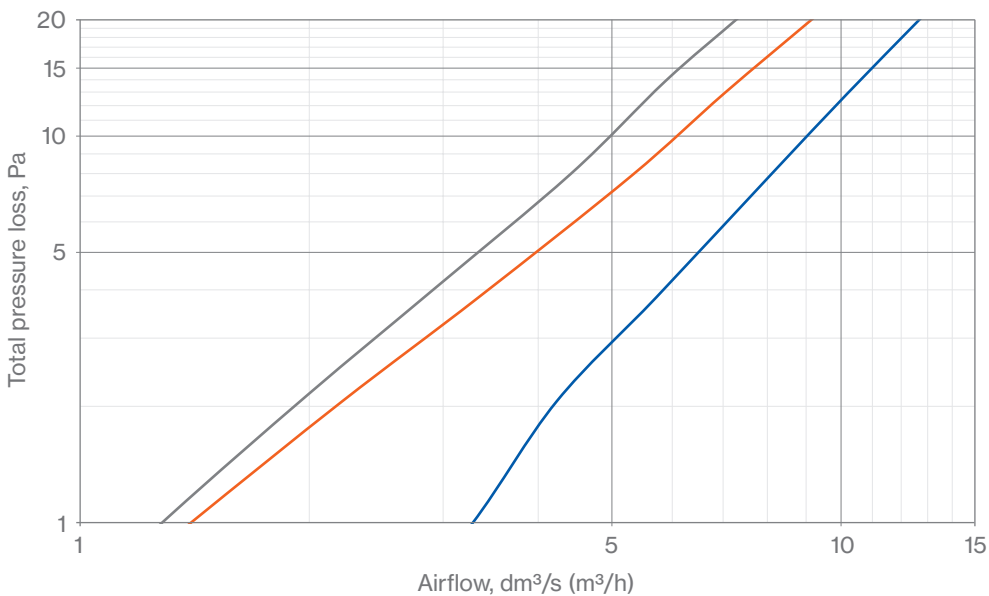
Performance and flow data

The airflow performance of the VILPE Wive 100 intake vent set and the VILPE Wive 100 intake vent set + thermostat (when the vent covers are open at the largest ventilation aperture (5) and the multifunction grilles are installed).

VILPE Wive 100 intake vent set + thermostat



VILPE Wive 100 intake vent set



VILPE Wive 100 sound insulation

Product type	$D_{n,e,w}$ dB	$D_{n,e,w} + C^*$ dB	$D_{n,e,w} + C^{**}$ dB
Wive 100 + thermostat	35	34	33
Wive 100 + thermostat + silencer	37	37	36
Wive 100 + thermostat + silencer; closed	45	44	43
Intact test wall 300mm (2x plasterboard / wool / 2x plasterboard)	68	67	63

ISO 10140:2010
ISO 717-1:2013

$D_{n,e,w}$ air intake vent weighted element-normalized sound level difference, dB.

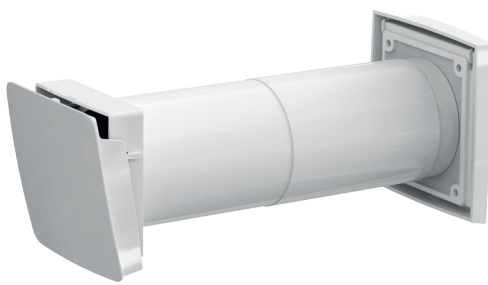
* Weighted element-normalized sound level difference $D_{n,e,w} + C$ can be used, for example, when evaluating sound insulation for jet aircraft noise in the vicinity of airports.

** The weighted element-normalized level difference $D_{n,e,w} + C_{tr}$ can be used, for example, when evaluating sound insulation for city traffic.



VILPE Wive 100 intake vent set + thermostat

Product no.
380000



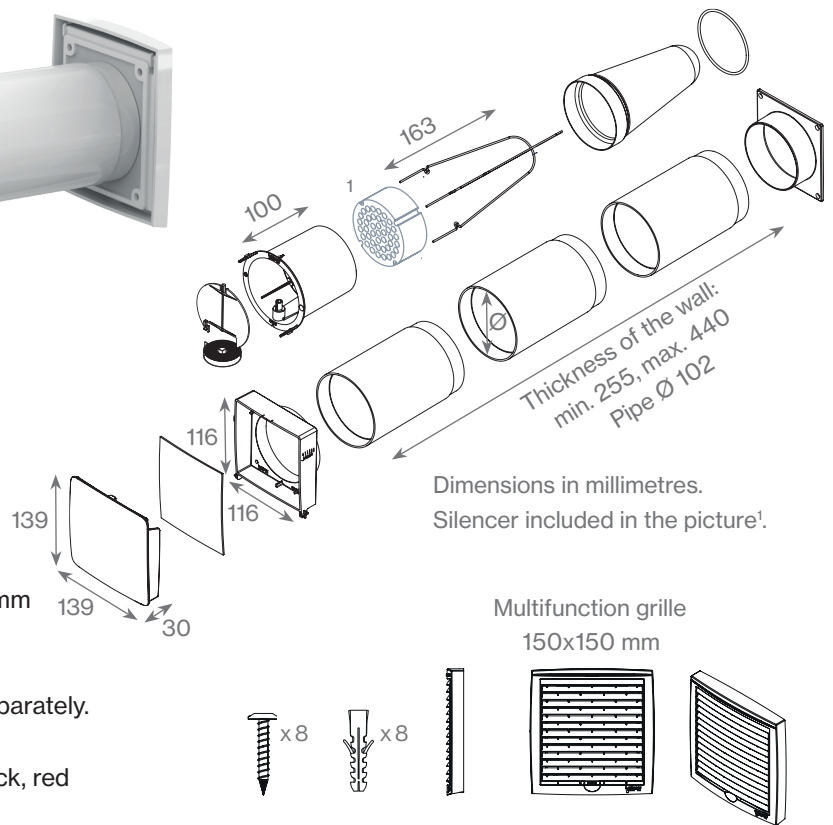
- For passive ventilation

Package includes

- VILPE Wive 100 intake vent set
- High-quality filter (1 pcs)
- Thermostat
- All necessary screws and screw plugs
- White VILPE Multifunction grille 150x150 mm

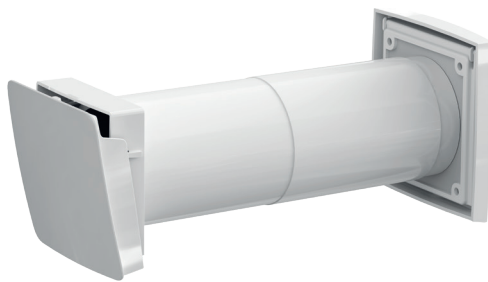
Additional parts

Silencer and replacement filters are sold separately.
A 120mm extension pipe is also available.
Multifunction grilles in light or dark grey, black, red and beige are sold separately.



VILPE Wive 100 intake vent set

Product no.
380010



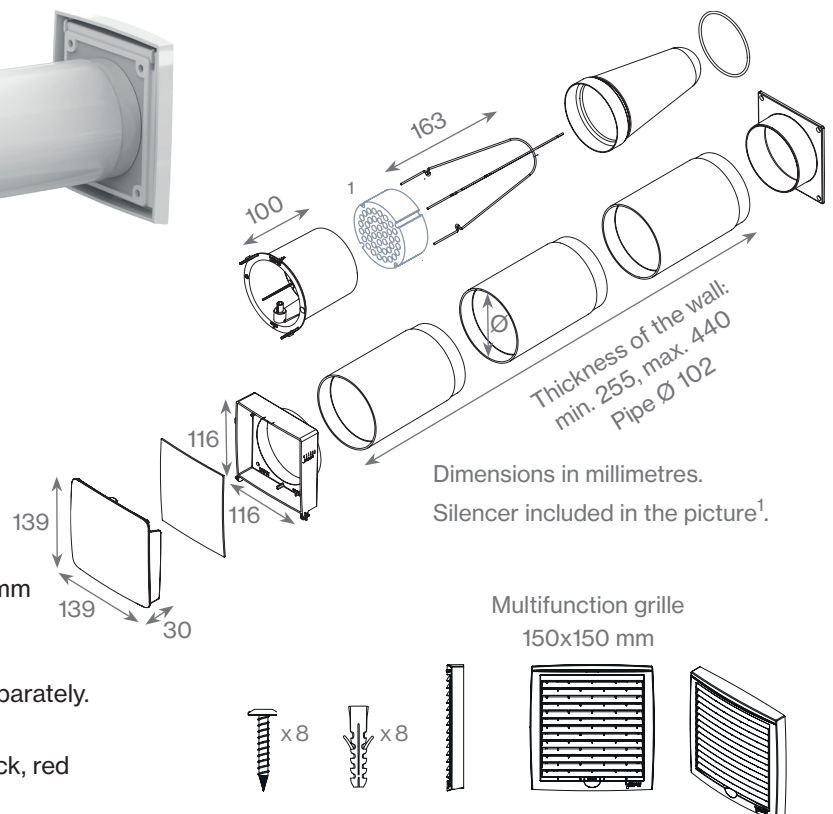
- Specifically for mechanical ventilation

Package includes

- VILPE Wive 100 intake vent set
- High-quality filter (1 pcs)
- All necessary screws and screw plugs
- White VILPE Multifunction grille 150x150 mm

Additional parts

Silencer and replacement filters are sold separately.
A 120mm extension pipe is also available.
Multifunction grilles in light or dark grey, black, red and beige are sold separately.



VILPE Wive 100 intake for window vent + thermostat

Product no.
380070



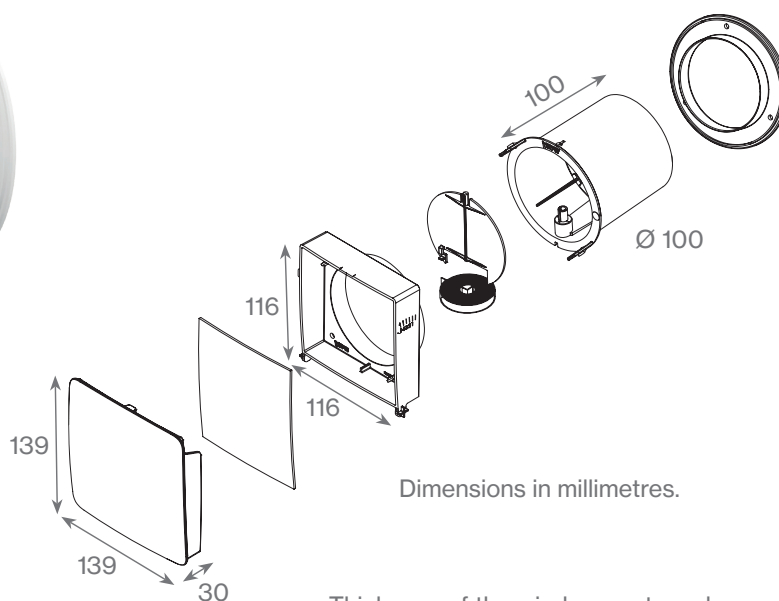
- For passive ventilation

Package includes

- VILPE Wive 100 intake for window vent
- Thermostat
- All necessary screws and screw plugs

Additional parts

Coarse filter is sold separately.



Thickness of the window vent can be
min. 40 mm, max. 90 mm.

10 year warranty for all VILPE Wive 100 intake vents and fitting plates

VILPE Wive 100 intake for window vent

Product no.
380080



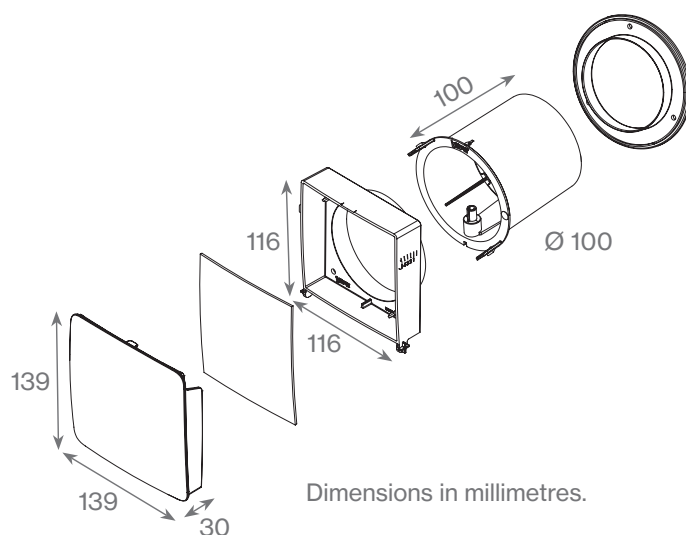
- Specifically for mechanical ventilation

Package includes

- VILPE Wive 100 intake for window vent
- All necessary screws and screw plugs

Additional parts

Coarse filter is sold separately.



Thickness of the window vent can be
min. 40 mm, max. 90 mm.

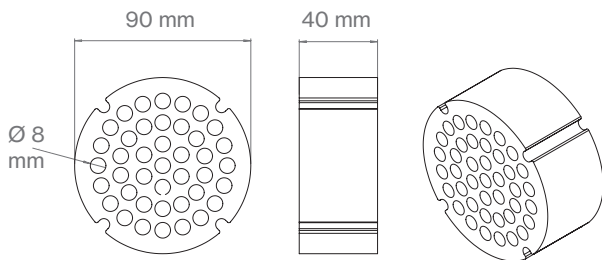
More information, retailers, installation videos:

> [VILPE.COM/EN/WIVE](https://vilpe.com/en/wive)

Wive

VILPE Wive 100 silencer

Product no.
380023



Package includes

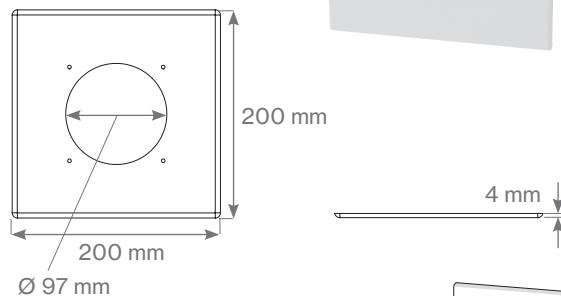
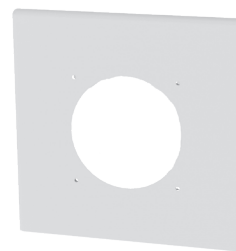
- Silencer

Suitability

Suitable as an addition to the VILPE Wive 100 intake vent set and the VILPE Wive 100 intake vent set + thermostat.

VILPE Wive 100 fitting plate 200 x 200

Product no.
380026



Package includes

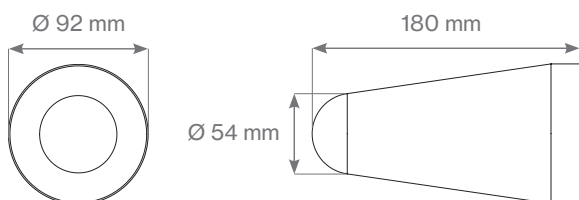
- White fitting plate

Suitability

Suitable as an addition to all VILPE Wive 100 intake vents and intake for window vents.

VILPE Wive 100 filter (5 pcs)

Product no.
380022



Package includes

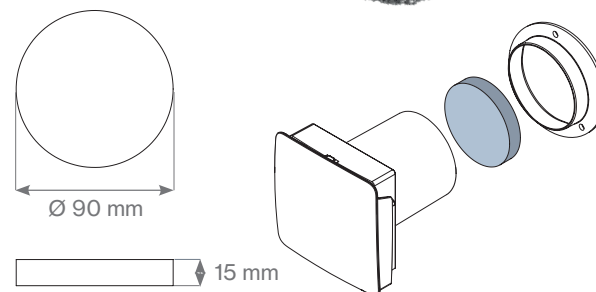
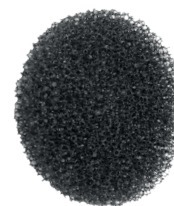
- 5 pcs filter, class ISO ePM₁₀ 75 %

Suitability

Suitable as an addition to the VILPE Wive 100 intake vent set and the VILPE Wive 100 intake vent set + thermostat.

VILPE Wive 100 coarse filter

Product no.
380025



Package includes

- 5 pcs coarse filter, class G1

Suitability

Suitable as an addition to the VILPE Wive 100 intake for window vent and the VILPE Wive 100 intake for window vent + thermostat.

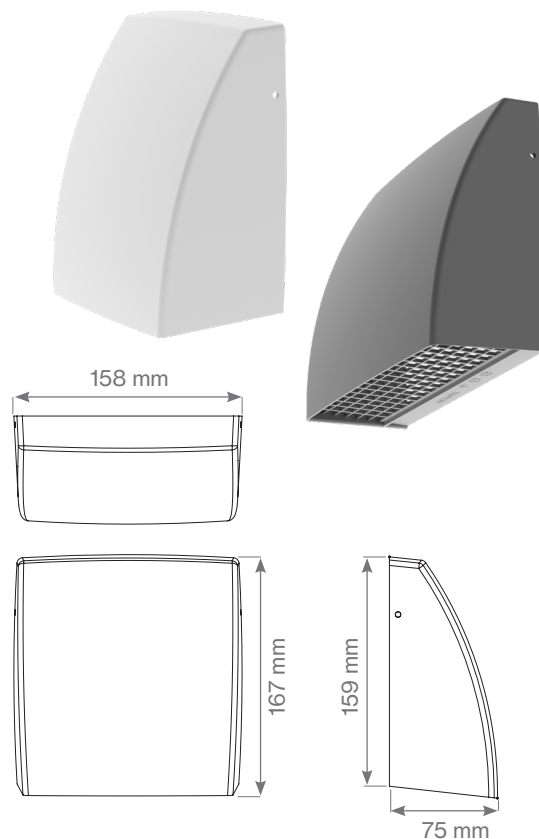
VILPE Wive storm cover

Standard colours

-  White
-  Light grey
-  Black
-  Grey
-  Anthracite

Product no.

- 794000
- 794001
- 794002
- 794007
- 79400D



Package includes

- Storm cover
- All necessary screws and screw plugs

Suitability

Suitable as an addition to all VILPE Wive 100 intake vents and intake for window vents.

VILPE Wive 100 extension pipe

Product no.
380060



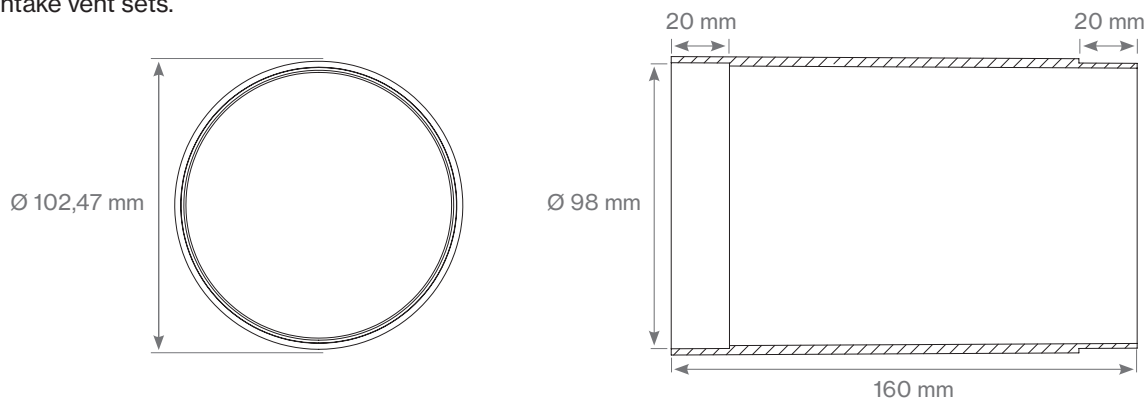
Effective length 140 mm

Package includes

- VILPE Wive 100 extension pipe

Suitability

Suitable as an addition to VILPE Wive 100 intake vent sets.



Modifiable appearance

The appearance of the white intake vent can be easily modified to fit the style of the project and the customer. The VILPE Wive can also be wallpapered or painted to match the interior of a room, or left as it is - the result is stylish either way.

10 year warranty

All VILPE Wive 100 intake vents and fitting plates have a 10 year warranty. This warranty does not cover silencers or filters.

Manufactured in Finland

VILPE Wive 100 intake vents and their additional parts are designed and manufactured in Finland. Our products have been developed to withstand the harshest Nordic weather conditions.



PRODUCT

VILPE Wive 100 intake vent set + thermostat
VILPE Wive 100 intake vent set
VILPE Wive 100 intake for window vent + thermostat
VILPE Wive 100 intake for window vent
VILPE Wive 100 intake vent silencer
VILPE Wive 100 intake vent filters (5 pcs)
VILPE Wive 100 coarse filter (5 pcs)
VILPE Wive 100 fitting plate 200x200
VILPE Wive 100 extension pipe
VILPE Wive 100 storm cover 150x150

COLOUR

white
light grey
black
grey
anthracite

PRODUCT NO.

380000
380010
380070
380080
380023
380022
380025
380026
380060
794000
794001
794002
794007
79400G



VILPE Oy
Kauppatie 9
FI-65610 Mustasaari
Finland

Sales & technical support
Puh. 020 123 3222
sales@vilpe.com

> VILPE.COM

