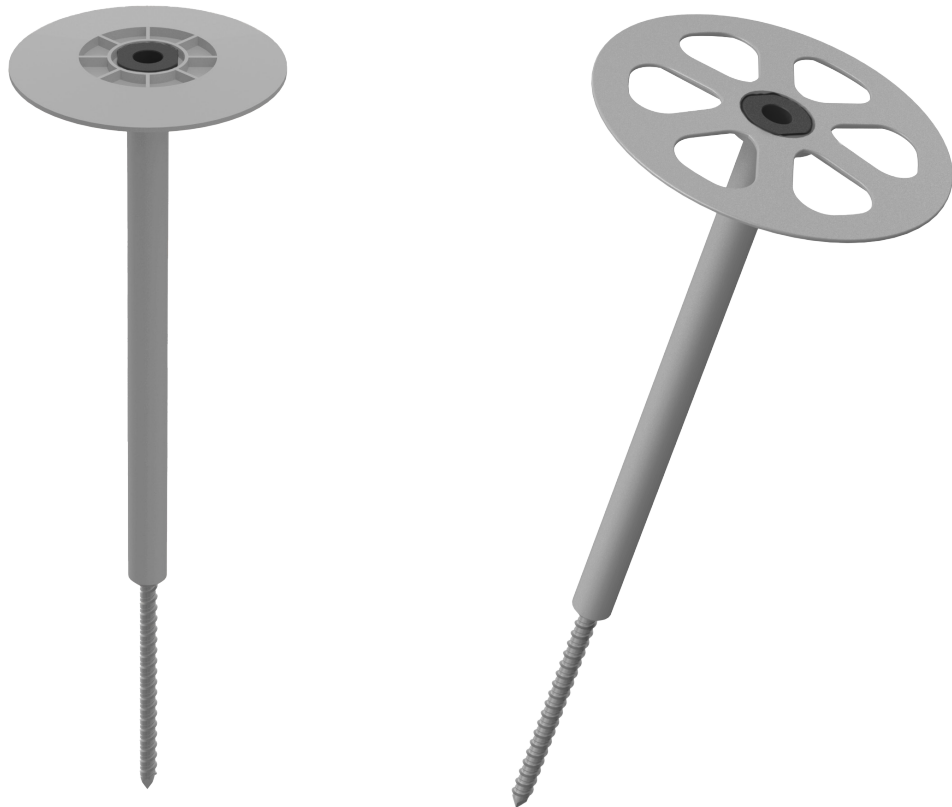
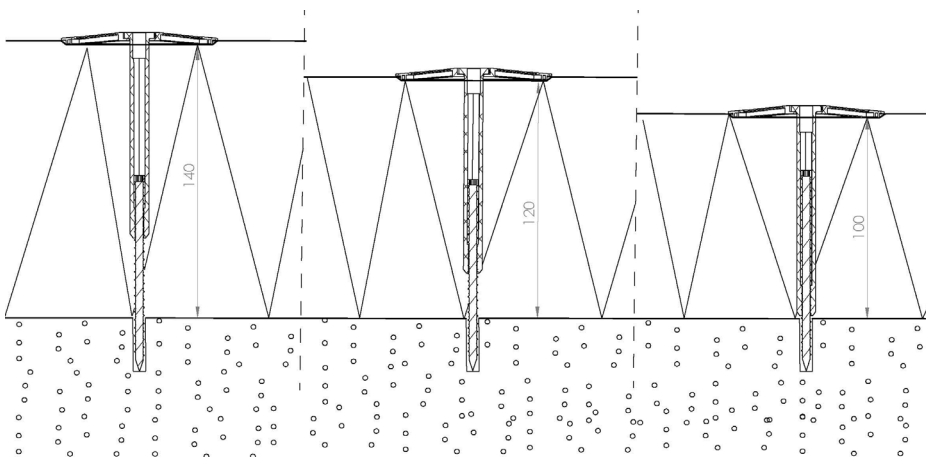


## VILPE<sup>®</sup> ADJUSTABLE INSULATION ANCHOR

Also suitable for attaching insulation to ceilings



A flexible insulation fastener for easy installation.  
Only a 30 mm deep hole made with a 5 mm concrete drill bit is required for installation.



*In the example image, the 100 mm fastener is adjusted to fit the insulation cover of 100, 120 and 140 mm.*

## One length for several wool thicknesses

A VILPE adjustable insulation anchor facilitates and speeds up operation on the construction site.

The thickness of concrete walls cast on the site may vary from a few millimetres to several centimetres. In this case, insulation is also installed on an uneven surface, which makes installation more difficult. An adjustable insulation fastener solves the problem, as a single fastener length is suitable for several different wool thicknesses.

Another advantage of the adjustable insulation anchor is that the installer can conveniently adjust the tightness of the insulation wool fastening.

A thin  $\varnothing$  80 mm base washer and a thick 100 mm base washer are available separately.

The screw has passed the accelerated corrosion test according to standard ISO 6988 / DIN 50018.

## Applications

Suitable for fastening 100 to 300 mm insulations to wooden and concrete walls.

## Dimensions

Lengths: 100, 140, 180, 220 and 260 mm.  
Each length can be adjusted by 40 mm.

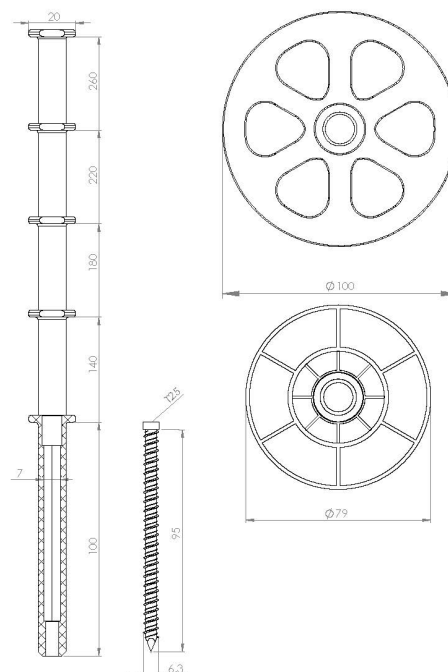
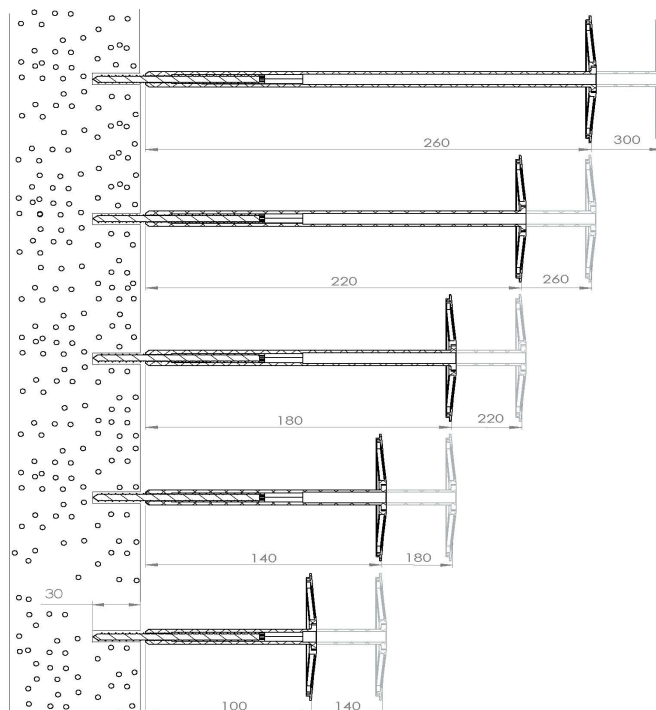
## Installation

Compared to other products, the VILPE adjustable insulation anchor is very quick and simple to install as it requires only one tool.

For installation, a hole is drilled 30 mm deep with a 5 mm concrete drill bit. The screw on the anchor is 6.3x95 mm, and the cross groove in the base is a Torx T25. Rotate the screw with a hexagonal 7 mm screwdriver with a T25 tip.

When the screw reaches the bottom of the drilled hole, pull the screwdriver out of the cross groove. The anchor can be rotated so that the end is attached to the insulation. The tightness of the insulation wool fastening can still be adjusted flexibly after this.

The number of fasteners is determined by the planner.



## Product number

Products	Pcs/pack	Product No.
ADJUSTABLE INSULATION ANCHOR 100	250	222100
ADJUSTABLE INSULATION ANCHOR 140	250	222140
ADJUSTABLE INSULATION ANCHOR 180	250	222180
ADJUSTABLE INSULATION ANCHOR 220	250	222220
ADJUSTABLE INSULATION ANCHOR 260	250	222260
ADJUSTABLE INSULATION ANCHOR WASHER 100	250	222010
ADJUSTABLE INSULATION ANCHOR WASHER 80	250	222008

VILPE Oy  
Kauppatie 9  
FI-65610 Mustasaari  
Finland

Sales and technical support  
Tel. +358 20 123 3222  
sales@vilpe.com



VILPE.COM

**VILPE**<sup>®</sup>  
Innovative and Easy