

Fresh indoor air with the intake vent

## VILPE® WIVE



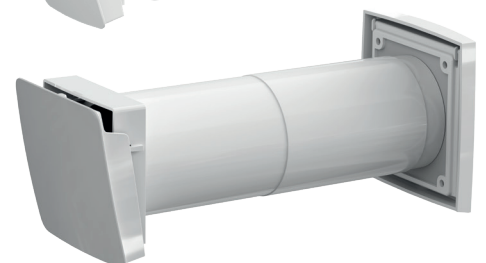
*By wallpapering or painting Wive, the intake vent blends stylishly into the wall.*

# Wive

- Blends into the wall
- No additional maintenance required
- Draft free design
- Filters contaminants from the air
- Fast and easy filter change
- Easy installation
- With or without thermostat
- Silencer sold separately



To be installed in the wall or in the ventilation hatch



## No draft design

VILPE Wive intake vent brings fresh outdoor air into the building. The vent is designed to prevent uncomfortable draft as the air flow is directed upwards, where the fresh air mixes with the warm indoor air. This will keep the room temperature at an ideal level without the sense of draft. The model with thermostat is completely open when outside temperature is 20°C and it closes when outside temperature is -5°C. Still it always allows some air to flow. The intake vent's cover is insulated to prevent condensation.

## Use & installation

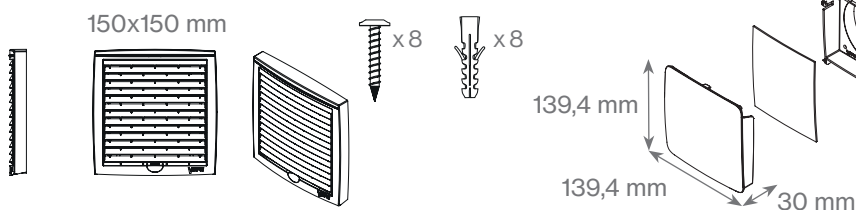
VILPE Wive intake vent is suitable for both new buildings and renovation projects. It can be used in detached houses, multi-apartment houses and row houses. The intake vent is installed on a wall. The VILPE Wive vent can also replace an old air intake vent. Installing VILPE Wive is quick and easy as no coupling or wiring is necessary.

The intake vent can be purchased with or without a thermostat. The vent can be completely closed, for instance in case of a fire in the area.

- The VILPE Wive intake vent with thermostat is only used in buildings with passive ventilation. The thermostat adjusts automatically to the outdoor temperature, meaning that when it is colder outside the vent lets in less air.
- The VILPE Wive intake vent without thermostat suits buildings with mechanical ventilation.

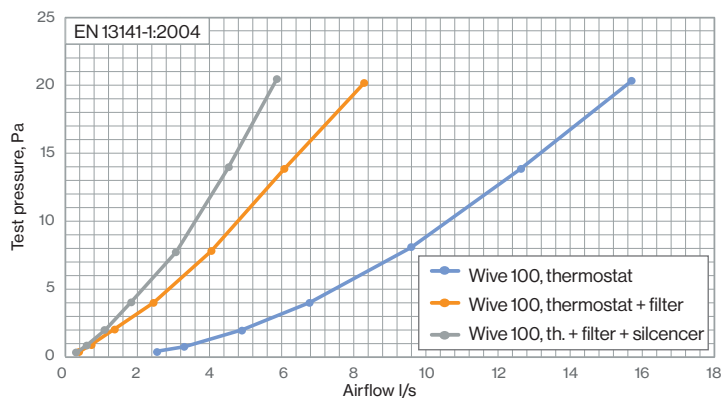
## Modifiable appearance

The visual look of the white air intake vent is easily modified. If one wishes, the product can be wallpapered or painted to fit the interior of the room. The high-quality filter of VILPE WIVE effectively prevents contaminants like dust and pollen from entering the building. Changing the filter is quick and easy as no screwing is necessary. Other maintenance is not required. Silencer can be purchased separately.

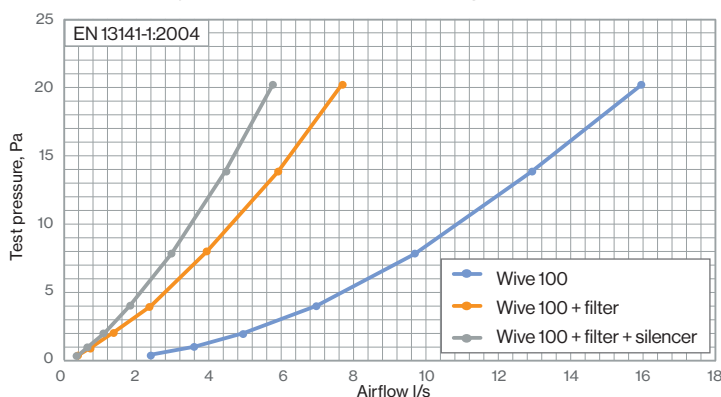


## Flow performance

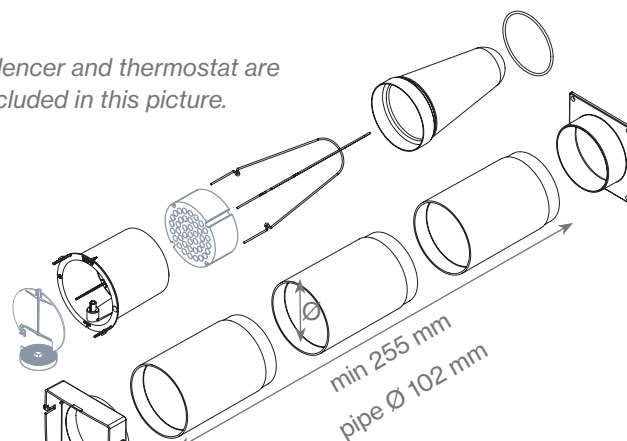
Wive 100 with thermostat, lid fully open, without Multifunction grille



Wive 100 lid fully open, without Multifunction grille



Silencer and thermostat are included in this picture.



## Product numbers

VILPE Wive 100 intake vent set + thermostat	380000
VILPE Wive 100 intake vent set	380010
VILPE Wive 100 intake vent silencer	380023
VILPE Wive 100 intake vent filters (5 pcs)	380022
VILPE Wive 100 extension pipe	380060
VILPE Wive 100 for ventilation hatch + thermostat	380070
VILPE Wive 100 for ventilation hatch	380080

## Package includes

- VILPE Wive 100 intake vent
- High-quality M5 class filter (1 pcs)
- Thermostat – only with products no. 380000 and 380070
- VILPE Multifunction grille 150x150 in white with products no. 380000 and 380010
- All screws and plugs needed for installation

Silencer and replacement filters sold separately.

**VILPE**<sup>®</sup>  
Innovative and Easy

VILPE Oy  
Kauppatie 9  
FI-65610 Mustasaari  
Finland

Sales & technical support  
Tel. +358 20 123 3222  
sales@vilpe.com

> [VILPE.COM](http://VILPE.COM)