



savo[®]

**COOKER
HOODS**

2022

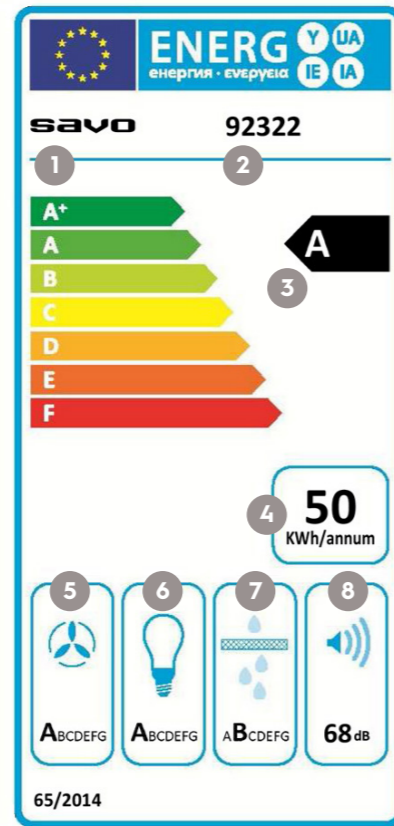


ENERGY EFFICIENCY CLASS

Label symbols according to directive (EU) number 65/2014.

The label shows the energy-efficient properties of the product, such as performance and power consumption, as well as consumer and technical information.

- 1 Brand
- 2 Model
- 3 Energy efficiency class A – F
- 4 Annual energy consumption
- 5 Fluid dynamic efficiency class
- 6 Lighting efficiency class
- 7 Grease filtering efficiency class
- 8 Noise level



SYMBOLS

- | | |
|---|---|
| <p>AC AC control
The hood controls an external fan with a single-phase AC motor.</p> | <p>Timer
When the timer is on, the hood runs for 5 minutes at the selected speed after turning off the hood.</p> |
| <p>EC EC control
The hood controls an external fan with EC motor (0–10V).</p> | <p>Filter clogging indicator
Charcoal and grease filter contamination indicator.</p> |
| <p>AC/EC AC-/EC-control
The hood controls an external fan with AC and/or an EC motor.</p> | <p>Perimeter suction
Provides high efficiency by adding air intake speed.</p> |
| <p>m Series Modular
The DUAL modular hood can be equipped with a Savo mV-125 motorized valve.</p> | <p>CleanVent
The motorized valve is coated with CleanVent for easy cleaning.</p> |
| <p>A Energy efficiency class
The label shows the performance and power consumption of the appliance.</p> | <p>Remote Control
Remotely controlled hood.</p> |
| <p>60 Width
Hood width (cm).</p> | <p>Touch control
The switches respond to a light touch.</p> |
| <p>ASC
Automatic function control: the cooker hood analyzes the composition of the air and adjusts the fan speed accordingly. In this way, the hood always works at the optimum speed.</p> | <p>Automatic shutdown after 10 hours
To save energy, the hood switches off 10 hours after it was last set.</p> |

CONTENTS

VILPE Silent Kitchen	4
SENSE stove guard fire protection system	5
Fan control technology	6
DUAL series: universal cooker hoods for AC/EC fans	7
DUAL MODULAR series, for AC/EC fans and ventilation units	10
DUAL series, for AC/EC fans.....	17
Standard range cooker hoods for roof fan control	19
Wall mounted models	20
Island models.....	26
Ceiling mounted models	30
Built-in models	32
VILPE roof fans	36
Accessories	38
Installation Tips	39

VILPE® SILENT KITCHEN

VILPE® offers a modern solution for organizing a cooker hood - connecting the cooker hood to a VILPE® roof fan. Such a system is not only silent, but also more efficient.

Even the most modern cooker hoods are not able to provide a level of comfort similar to that achieved with the VILPE® Silent Kitchen system.

Quiet operation is not the only advantage of this solution. An equally important characteristic is its effectiveness. Thanks to the pressure reduction in the ventilation duct, the output of exhaust air through the VILPE® Silent Kitchen is much higher than with conventional cooker hoods.

3 ELEMENTS OF VILPE® SILENT KITCHEN

A VILPE® Silent kitchen set consists of three elements:



1 Motorless cooker hood

A wide range of cooker hoods for the VILPE® Silent Kitchen system is available: built-in, wall-mounted, island and ceiling-mounted in a modern or classic style. The hoods are fully compatible with VILPE fans.

2,3 VILPE® roof fan + VILPE® pass-through according to the roof type

Polluted, exhaust air is discharged outside through an AC or DC VILPE roof fan installed on the roof.

The VILPE fan is mounted on the roof using the VILPE pass-through element, which is selected according to the type of roofing material and ensures the tightness of the connection.



BENEFITS OF VILPE® SILENT KITCHEN

- Silent operation of the cooker hood guarantees a comfortable stay in the kitchen
- High efficiency
- Minimum level of energy consumption
- Ease of installation
- Convenient fan control
- Suitable for almost any roofing and ventilation pipe diameters, as well as a brick shaft



FUNCTIONAL AND SAFE KITCHEN

The "SENSE stove guard" system detects the risk of fire on the stove and gives an alarm signal using light and sound

SENSE stove guard

Careless and uncontrolled use of the stove is the most common cause of fires.

The SENSE stove guard fire protection system detects the risk of fire on the stove, gives light and sound alarms and, if necessary, turns off the stove before a fire can start.

Advantages:

- plate temperature control
- cooker power consumption control
- detects the presence of the user near the stove and enhances control if the user is not present
- suitable for 1- and 3-phase cookers
- automatic system
- beeps before turning off
- complies with European standard EN 50615
- mobile app
- automatically determines the type of stove

NEW

The SENSE stove guard system is compatible with almost all types of cookers except gas: ceramic, induction and traditional hotplates. SENSE will take care of your safety while you are busy cooking.

The SENSE stove guard system is easy to use. The sensor is attached to the wall or to the over-stove surface of the cooker hood.

The sensor is connected to the power control unit via a wireless connection: no additional wires are required.

Fire protection system

No.	Name
94240	SENSE monitor panel (BT)
94243	SENSE 3-phase stove guard (BT)
94241	SENSE 1-phase stove guard (BT)



ROOF FAN CONTROL TECHNOLOGY

Our range includes cooker hoods that control AC-/EC-, AC- and EC-motors. Models of these series control fans with corresponding types of motors.



DUAL-SERIES

Cooker hoods from the new DUAL series are universal. These models can be connected to both electronically commutated current (EC) and alternating current (AC) external fans.

AC-SERIES

The AC type includes fans and ventilation systems with conventional AC motors. AC motors (AC = Alternating Current) are connected directly to the junction box of the cooker hood and the motor power is regulated by alternating voltage.

EC-SERIES

The EC type are fans with energy-saving DC motors. The cooker hood controls a roof-mounted fan with an EC motor (EC = Electronically Commutated) operating at 0-10 VDC.

Cooker hoods with motor control technology: AC/EC, AC and EC are supplied factory preset, no special adjustment is required. If necessary, a qualified specialist can adjust the power ranges and the extraction air flow in accordance with the design values at the site. Setup and adjustment instructions are available upon request.



DUAL cooker hood series for electronically commutated or alternating current fans (AC-/EC)

The new range of DUAL cooker hoods from SAVO is versatile. It is designed to control fans with electronically commutated or alternating current motors (AC-/EC). The hoods also have a number of easy-to-use functions such as winter start and motor speed adjustment.

A special feature of the DUAL-MODULAR range of cooker hoods is that these models can be configured in a universal way in accordance with the needs and goals of the user. The user can change the settings with DIP switches or with the Savo Configuration (SW) program. New technical solutions have been implemented in the MODULAR series. For example, when the fireplace is lit, the exhaust ventilation is turned off for 15 minutes, and the turbo function activates full power for 5 minutes with one touch.




BOOSTER VALVE EXPANDS THE APPLICATIONS OF THE DUAL MODULAR HOOD SERIES

Motorized valve mV-125 for adjusting and controlling the ventilation system can be purchased separately as an additional option.

The valve is quickly and easily installed without special tools. It can also be installed later (after installing the hood).

With it, the hood from the MODULAR series can be used as part of a mechanical ventilation system for apartments with AC-/EC (alternating and electronically commutated current) control.

The table below shows the applications for DUAL and DUAL Modular hoods. For more information about the technical characteristics of the hoods, see the product description.

	AC- AND EC- ROOF FAN 	AC- AND EC- ROOF FAN/ ZONE VENTILATION 	AC- AND EC- VENT. SET UP/ ZONE VENTILATION 
DUAL-cooker hood	✓		
DUAL MODULAR - cooker hood	✓		
DUAL MODULAR -hood + MV-125 valve	✓	✓	✓

**DUAL SERIES -
UNIVERSAL COOKER HOODS
FOR AC-/EC- FANS**





dCH-m75 60 and 90 cm RST

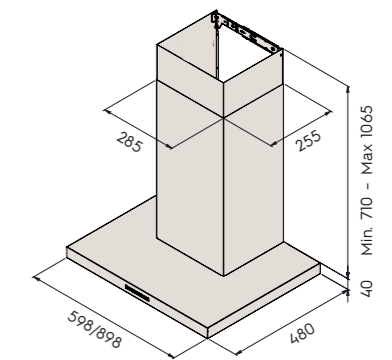


- wall mounted model
- compatible with Savo mV-125 motorized valve
- controls roof fan with AC motor (max. 400 W) or EC motor (0-10V)
- controls a ventilation unit (HRV) with an AC or EC motor
- electronic control panel
- timer
- nominal lighting power 2.6 W, 2 x LED (4000 K)
- washable stainless steel design filters
- metal filter clogging indicators
- outlet diameter 125 mm
- 598/898 x 480 x 710-1065 mm (width x depth x height)



Article	Name
99043	dCH-m7506-S 60 cm RST
99046	dCH-m7509-S 90 cm RST
91360	Savo mV-125 motorized valve
91370	Check valve 125 mm

Recommended roof fan models
VILPE E-190, ECO-190, FLOW ECO-125



dCH-m75 60 and 90 cm black matte

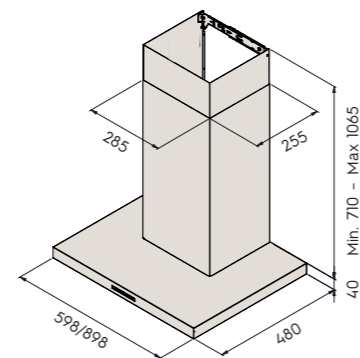


- wall mounted model
- compatible with Savo mV-125 motorized valve
- controls roof fan with AC motor (max. 400 W) or EC motor (0-10V)
- controls a ventilation unit (HRV) with an AC or EC motor
- electronic control panel
- timer
- nominal lighting power 2.6 W, 2 x LED (4000 K)
- washable stainless steel design filters
- metal filter clogging indicators
- outlet diameter 125 mm
- 598/898 x 480 x 710-1065 mm (width x depth x height)



Article	Name
99045	dCH-m7506-B 60 cm black matte
99048	dCH-m7509-B 90 cm black matte
91360	Savo mV-125 motorized valve
91370	Check valve 125 mm

Recommended roof fan models
VILPE E-190, ECO-190, FLOW ECO-125



dCH-m75 60 and 90 cm white

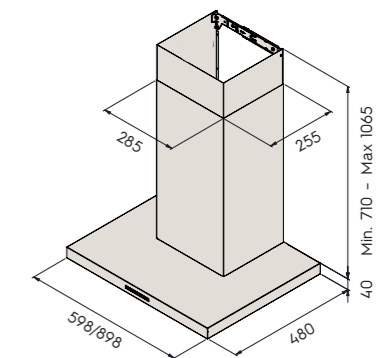


- wall mounted model
- compatible with Savo mV-125 motorized valve
- controls roof fan with AC motor (max. 400 W) or EC motor (0-10V)
- controls a ventilation unit (HRV) with an AC or EC motor
- electronic control panel
- timer
- nominal lighting power 2.6 W, 2 x LED (4000 K)
- washable stainless steel design filters
- metal filter clogging indicators
- outlet diameter 125 mm
- 598/898 x 480 x 710-1065 mm (width x depth x height)



Article	Name
99044	dCH-m7506-W 60 cm white
99047	dCH-m7509-W 90 cm white
91360	Savo mV-125 motorized valve
91370	Check valve 125 mm

Recommended roof fan models
VILPE E-190, ECO-190, FLOW ECO-125



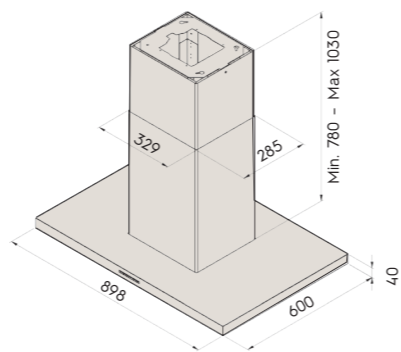
dIH-m75 90 cm white



- ceiling mounted
- compatible with Savo mV-125 motorized valve
- controls roof fan with AC motor (max. 400W) or EC motor (0-10V)
- controls ventilation unit (HRV) with AC or EC motor
- electronic control panel
- timer
- nominal lighting power 5.2 W, 4 x LED (4000 K)
- washable stainless steel design filters
- metal filter contamination indicators
- outlet diameter 125 mm
- 898 x 600 x 710–1065 mm (width x depth x height)

Article	Name
99447	dIH-m7509-W 90 cm white
91360	Savo mV-125 motorized valve
91370	Check valve 125 mm

Recommended roof fan models
VILPE E-190, ECO-190, FLOW ECO-125



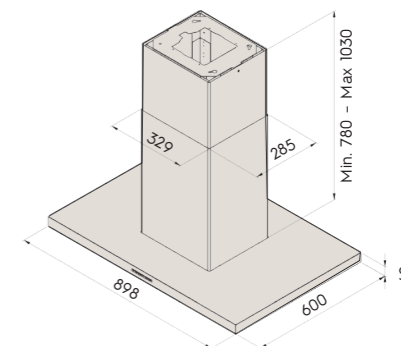
dIH-m75 90 cm RST



- ceiling mounted
- compatible with Savo mV-125 motorized valve
- controls roof fan with AC motor (max. 400W) or EC motor (0-10V)
- controls ventilation unit (HRV) with AC or EC motor
- electronic control panel
- timer
- nominal lighting power 5.2 W, 4 x LED (4000 K)
- washable stainless steel design filters
- metal filter contamination indicators
- outlet diameter 125 mm
- 898 x 600 x 710–1065 mm (width x thickness x height)

Article	Name
99446	dIH-m7509-S 90 cm RST
91360	Savo mV-125 motorized valve
91370	Check valve 125 mm

Recommended roof fan models
VILPE E-190, ECO-190, FLOW ECO-125



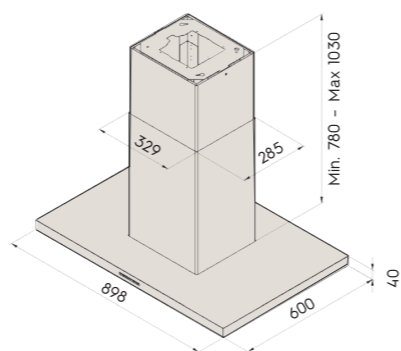
dIH-m75 90 cm black matte



- ceiling mounted
- compatible with Savo mV-125 motorized valve
- controls roof fan with AC motor (max. 400W) or EC motor (0-10V)
- controls ventilation unit (HRV) with AC or EC motor
- electronic control panel
- timer
- nominal lighting power 5.2 W, 4 x LED (4000 K)
- washable stainless steel design filters
- metal filter contamination indicators
- outlet diameter 125 mm
- 898 x 600 x 710–1065 mm (width x depth x height)

Article	Name
99448	dIH-m7509-B 90 cm black matte
91360	Savo mV-125 motorized valve
91370	Check valve 125 mm

Recommended roof fan models
VILPE E-190, ECO-190, FLOW ECO-125





dPH-m27 white 50 and 60 cm

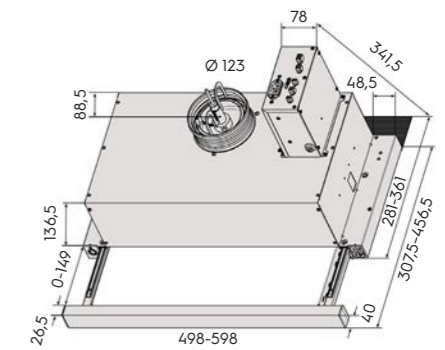
NEW

- built-in
- compatible with Savo mV-125 motorized valve
- controls roof fan with AC motor (max. 400 W) or EC motor (0–10V)
- compatible with fan or vent. installation
- rated lighting power 2 W, 2 x LED (3000 K)
- timer
- metal filter clogging indicator
- The DUAL-Modular range of hoods has a number of special functions, more at www.savo.fi
- outlet diameter 125 mm
- 498/598 x 281-361 (+26.5mm bezel) x 342mm (W x D x H)



Article	Name
99600	dPH-m2705-W 50 cm white
99603	dPH-m2706-W 60 cm white
91050	front panel FR-27 RST 50 cm
91051	front panel FR-27 RST 60 cm
91052	front panel FR-27 black 50 cm
91053	front panel FR-27 black 60 cm
91360	Savo mV-125 motorized valve
91370	Check valve 125 mm

Recommended roof fan models
VILPE E-190, ECO-190, FLOW ECO-125



dGH-m62 60 cm RST

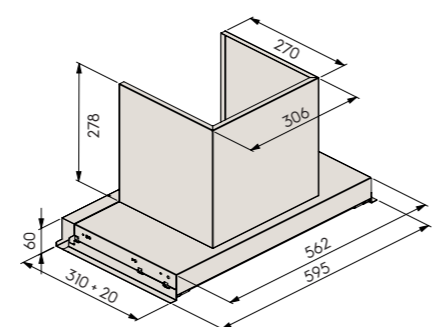
NEW

- built-in
- compatible with Savo mV-125 motorized valve
- controls roof fan with AC motor (max. 400 W) or EC motor (0–10V)
- controls a ventilation unit (HRV) with an AC or EC motor
- keypad control
- rated lighting power 2.6 W, 2 x LED (4000 K)
- washable metal filters
- outlet diameter 125 mm
- 595 x 310+20 x 338 mm (width x depth x height)



Article	Name
99720	dGH-m6206-S2 60 cm RST
91025	Design panel (above the stove) G-6206-S2 RST
91026	Design panel (above the stove) G-6206-S2 white
91027	Design panel (above the stove) G-6206-S2 black matte
91360	Savo mV-125 motorized valve
91370	Check valve 125 mm

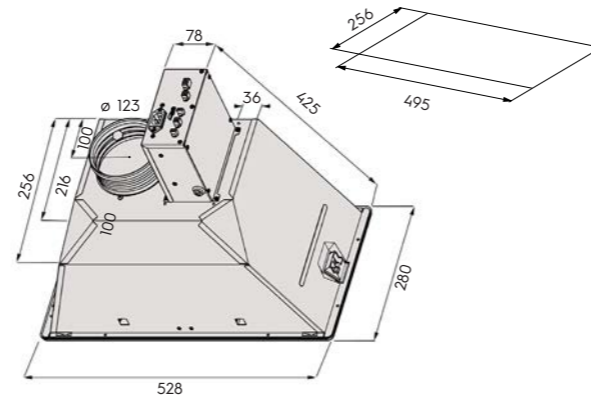
Recommended roof fan models
VILPE E-190, ECO-190, FLOW ECO-125



dGH-m37 RST 52 cm

- built-in
- compatible with Savo mV-125 motorized valve
- keypad control
- controls roof fan with AC motor (max. 400 W) or EC motor (0-10V)
- compatible with fan or vent. installation
- rated lighting power 2 W, 2 x LED (3000 K)
- timer
- metal filter clogging indicator
- outlet diameter 125 mm
- 520 x 300 x 361 mm (width x depth x height)

NEW



Article	Name
99700	dGH-m3705-S 52 cm RST
91360	Savo mV-125 motorized valve
91370	Check valve 125 mm

Recommended roof fan models
VILPE E-190, ECO-190, FLOW ECO-125



dCH-65 RST 60 and 90 cm

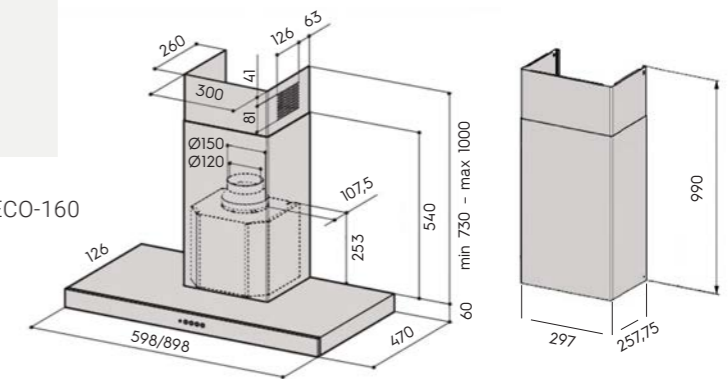
- wall mounted model
- controls a roof fan with an AC/EC motor
- keypad control
- rated lighting power 2 W, 2 x LED (4000 K)
- timer
- washable metal filters
- metal filter clogging indicators
- outlet diameter 150/125 mm
- 598/898 x 470 x 790-1060 mm (width x depth x height)
- 598/898 x 470 x 1530 mm (width x depth x height), additional cover (to be ordered separately to replace the supplied one)

NEW



Article	Name
97043	dCH-6506-S2 60 cm RST
97046	dCH-6509-S2 90 cm RST
90961	Additional cover 990 mm RST

Recommended roof fan models
VILPE E-190, 220, ECO-190, ECO-220, FLOW ECO-125, FLOW ECO-160



mV-125 motorized valve

- compatible with DUAL-Modular range hoods
- a kitchen hood from the DUAL Modular series, complete with an installed mV-125 valve, controls the ventilation of the entire apartment
- easy to clean CleanVent cover
- works as a fire damper
- electric drive
- timer (60 min)
- valve type KSOM-125
- installation instructions included
- outlet diameter 125 mm

NEW



Article	Name
91360	Savo mV-125 motorized valve
91370	Check valve 125 mm



dIH-65 RST 90 cm

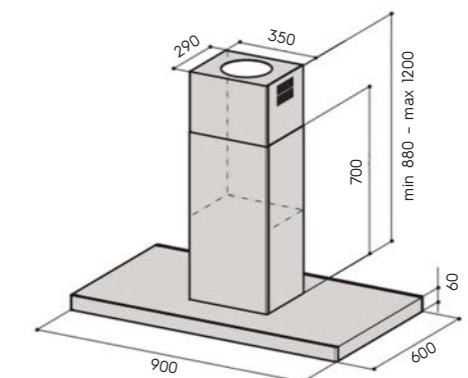
- ceiling mounted
- controls a roof fan with an AC/EC motor
- keypad control
- rated lighting power 4 W, 4 x LED (4000 K)
- timer
- washable metal filters
- metal filter clogging indicators
- outlet diameter 150/125 mm
- 900 x 600 x 940-1260 mm (width x depth x height)

NEW



Article	Name
97226	dIH-6509-S2 90 cm RST

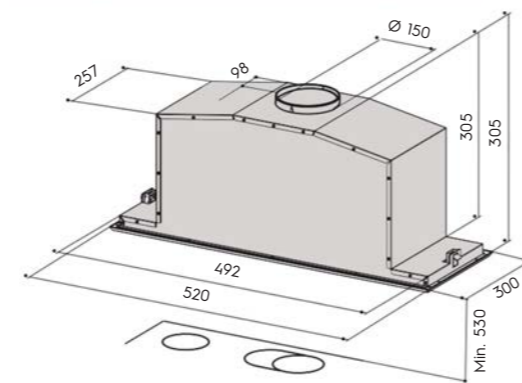
Recommended roof fan models
VILPE E-190, 220, ECO-190, ECO-220, FLOW ECO-125, FLOW ECO-160



dGH-57 RST 52 cm

- built-in
- controls a roof fan with an AC/EC motor
- keypad control
- rated lighting power 2 W, 2 x LED (4000 K)
- timer
- washable metal filters
- metal filter clogging indicators
- outlet diameter 150/125 mm
- 520 x 300 x 330 mm (width x depth x height)

NEW



Article Name

97365 dGH-5705-S2 52 cm RST

Recommended roof fan models

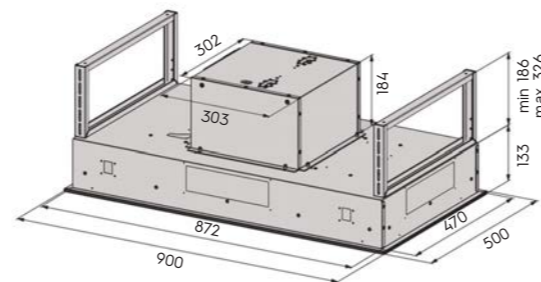
VILPE E-190, 220, ECO-190, ECO-220, FLOW ECO-125, FLOW ECO-160



dRH-97 white 90 cm

- ceiling mounted
- controls a roof fan with an AC/EC motor
- remote control
- nominal lighting power 6 W, 1 x LED (4000 K)
- perimetric air intake
- timer
- washable metal filters
- metal filter clogging indicators
- outlet diameter 150 mm
- 900 x 500 x 319-459 mm (width x depth x height)

NEW



Article Name

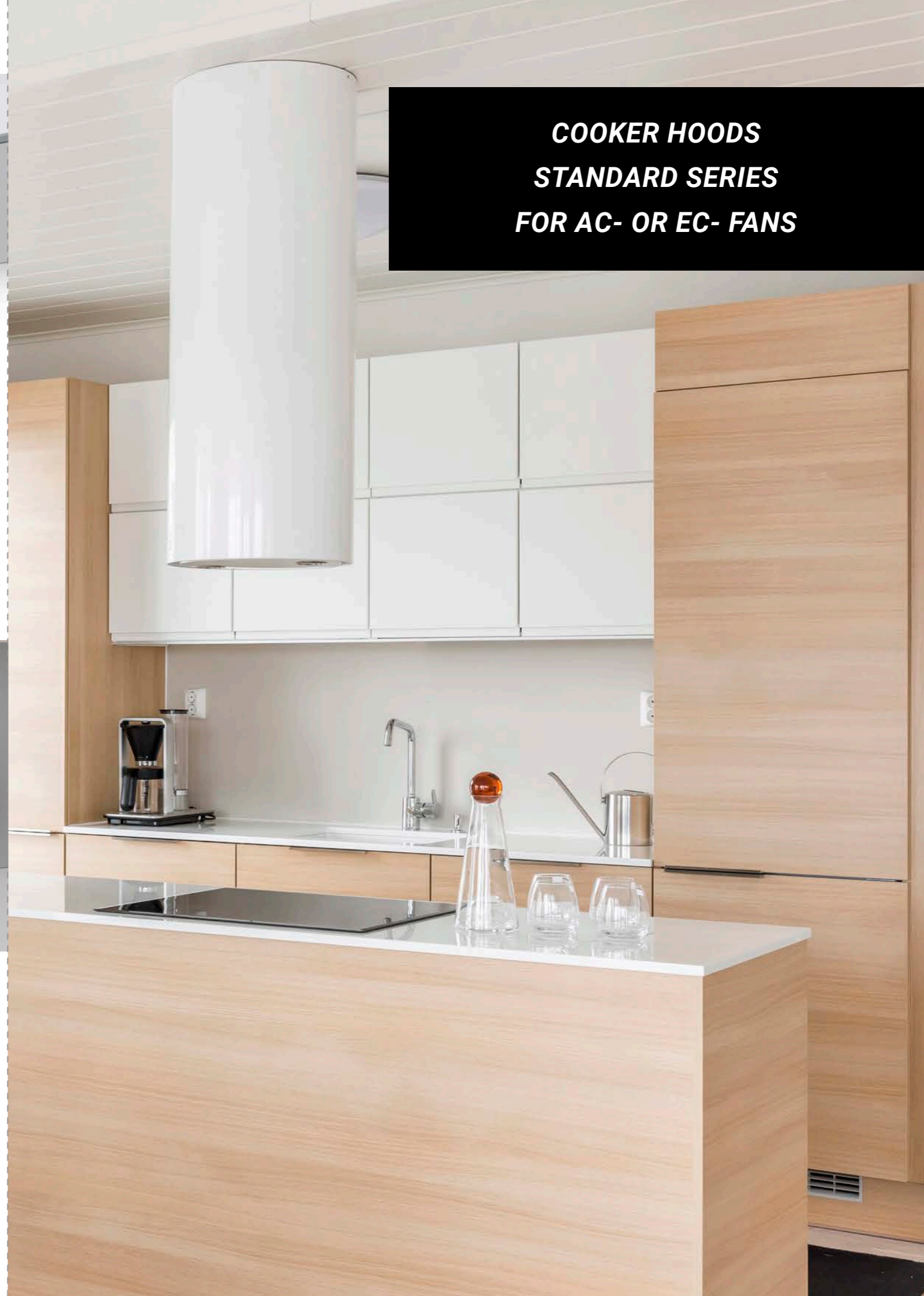
97371 dRH-9709-W2 90 cm white

Recommended roof fan models

VILPE E-220, ECO-220, FLOW ECO-160



**COOKER HOODS
STANDARD SERIES
FOR AC- OR EC- FANS**



WALL MOUNTED MODELS



CH hood models are designed to control roof fans with AC motors. eCH models are connected to VILPE high-efficiency ECo-series fans. The range of kitchen hoods includes popular colors: white and black matte, stylish models with glass and stainless steel or combined options. A wide selection to meet the technical and aesthetic requirements of your kitchen!

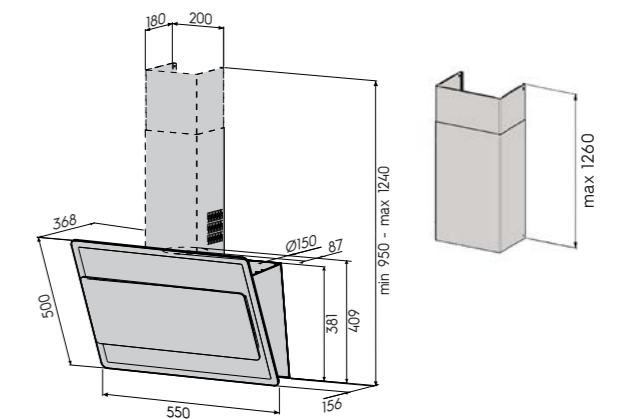
**Wall mounted cooker hoods,
connected to an external fan,
effectively purify the air of burnt
smells and steam**

CH-69 color white and black, 55 cm

- wall mounted model
- controls an external fan with an AC motor (max 260 W)
- illuminated touch control panel
- timer
- winter start
- rated lighting power 5 W, 2 x LED (3000 K)
- perimeter air intake
- washable metal filters
- outlet diameter 150/125 mm
- 550 x 368 x 409 mm (width x depth x height)
- cooker hood + casing RST 950–1240 mm
- 550 x 368 x 1640 mm (width x depth x height) with additional cover (to replace the cover supplied: consists of 2 parts, ordered separately)

Article	Name
86540	CH-6906-W 55 cm white glass
86541	CH-6906-B 55 cm black glass
90972	Additional cover PS-90 126 cm RST

Recommended AC- motor roof fans
VILPE E-190, 220

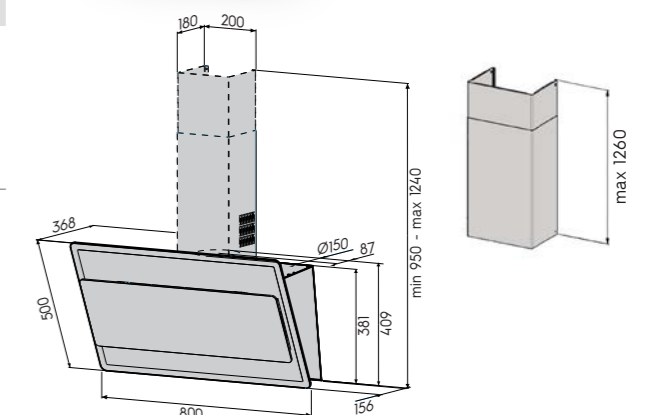


eCH-69 color white or black, 80 cm

- wall mounted model
- controls an external fan with an EC motor (0–10V)
- illuminated touch control panel
- timer, residual ventilation
- rated lighting power 5 W, 2 x LED (3000 K)
- perimeter air intake
- washable metal filters
- metal filter clogging indicators
- outlet diameter 150/125 mm
- 800 x 368 x 409 mm (width x depth x height)
- cooker hood + casing RST 950–1240 mm
- 800 x 368 x 1640 mm (width x depth x height) with additional cover (to replace the cover supplied: consists of 2 parts, ordered separately)

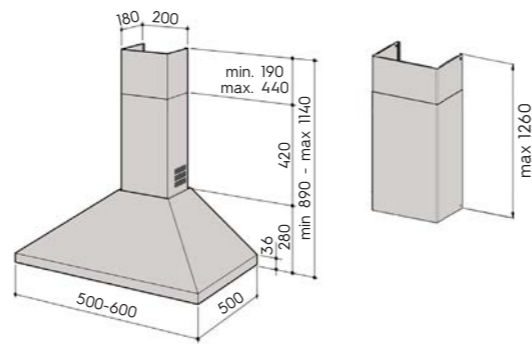
Article	Name
97031	eCH-6908-W 80 cm white glass
97032	eCH-6908-B 80 cm black glass
90972	Additional cover PS-90 126 cm RST

Recommended EC-motor roof fans
VILPE ECO-190, ECO-220, FLOW ECO-125, FLOW ECO-160



CH-41 RST 50 or 60 cm

- wall mounted
- controls an external fan with an AC motor (max 260 W)
- keypad control
- rated lighting power 8 W, 2 x LED (3000 K)
- washable metal filters
- outlet diameter 150/125 mm
- 500/600 x 500 x 890-1140 mm (width x depth x height)
- 500/600 x 500 x 1540 mm (width x depth x height) with additional cover (to replace the cover supplied: consists of 2 parts, ordered separately)



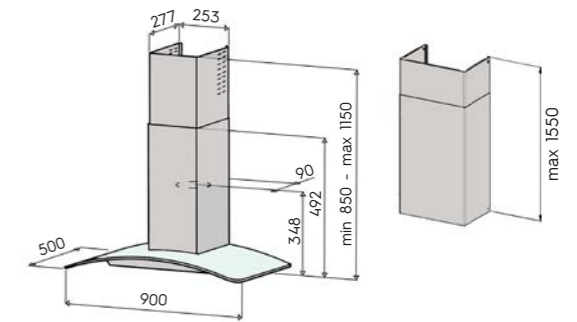
Article	Name
90328	CH-4105-S 50 cm RST
90329	CH-4106-S 60 cm RST
90972	Additional cover PS-90 126 cm RST

Recommended AC-motor roof fans
VILPE E-190, 220



eCH-61 RST/glass 90 cm

- wall mounted
- controls an external fan with an EC motor (0-10V)
- illuminated touch control panel with speed indicator
- ASC mode (automatic start, control and shutdown)
- rated lighting power 5 W, 2 x LED (3000 K)
- washable stainless steel design filters
- metal filter clogging indicators
- outlet diameter 150/125 mm
- 900 x 500 x 850-1150 mm (width x depth x height)
- 900 x 500 x 1600 mm (width x depth x height) with additional cover (to replace the cover supplied: consists of 2 parts, ordered separately)



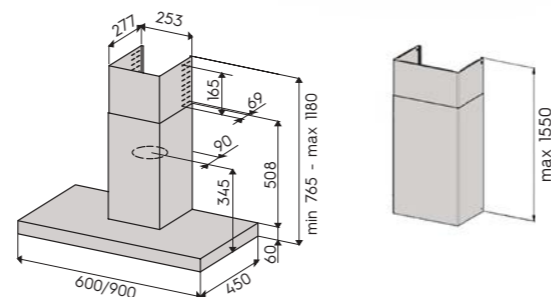
Article	Name
97025	eCH-6109-S/ASC 90 cm RST/glass
90970	Additional cover PS-90 155 cm RST

Recommended EC-motor roof fans
VILPE ECO-190, ECO-220, FLOW ECO-125, FLOW ECO-160



CH-65 RST 60 or 90 cm

- wall mounted
- controls an external fan with an AC motor (max 260 W)
- touch control
- timer
- rated lighting power 5 W, 2 x LED (3000 K)
- washable metal filters
- metal filter clogging indicator
- outlet diameter 150/125 mm
- 600/900 x 450 x 765-1180 mm (width x depth x height)
- 600/900 x 450 x 1600 mm (width x depth x height) with additional cover (to replace the cover supplied: consists of 2 parts, ordered separately)



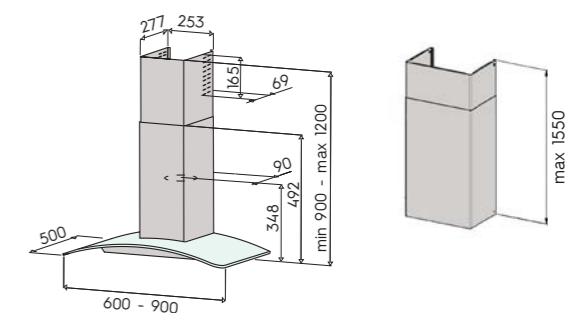
Article	Name
90357	CH-6506-S 60 cm RST
90358	CH-6509-S 90 cm RST
90970	Additional cover PS-90 155 cm RST

Recommended AC-motor roof fans
VILPE E-190, 220



CH-68 RST/glass 60 or 90 cm

- wall mounted
- controls an external fan with an AC motor (max 260 W)
- touch control
- timer
- rated lighting power 5 W, 2 x LED (3000 K)
- washable metal filters
- metal filter clogging indicator
- outlet diameter 150/125 mm
- 600/900 x 500 x 900-1200 mm (width x depth x height)
- 600/900 x 500 x 1600 mm (width x depth x height) with additional cover (to replace the cover supplied: consists of 2 parts, ordered separately)



Article	Name
90453	CH-6806-S 60 cm RST/glass
90454	CH-6809-S 90 cm RST/glass
90970	Additional cover PS-90 155 cm RST

Recommended AC-motor roof fans
VILPE E-190, 220



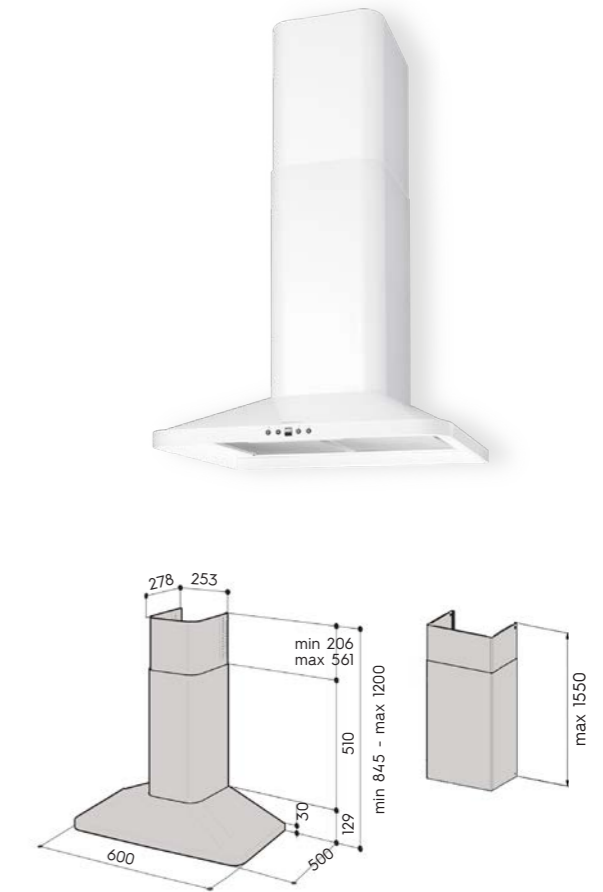


CH-52 white 60 cm

- wall mounted
- controls an external fan with an AC motor (max 260 W)
- electronic control panel with speed indicator
- timer
- winter start
- rated lighting power 5 W, 2 x LED (3000 K)
- washable stainless steel filters
- metal filter clogging indicators
- outlet diameter 150/125 mm
- 600 x 500 x 845–1200 mm (width x depth x height)
- 600 x 500 x 1650 mm (width x depth x height) with additional cover (to replace the cover supplied: consists of 2 parts, ordered separately)

Article	Name
92311	CH-5206-W 60 cm white
92971	Additional cover PS-R45 155 cm white

Recommended AC- roof fan models
VILPE E-190, 220



CH-52 black matte 60 or 90 cm

- wall mounted
- controls an external fan with an AC motor (max 260 W)
- electronic control panel with speed indicator
- timer
- winter start
- rated lighting power 5 W, 2 x LED (3000 K)
- washable metal filters
- metal filter clogging indicators
- outlet diameter 150/125 mm
- 600/900 x 500 x 845–1200 mm (width x depth x height)
- 600/900 x 500 x 1650 mm (width x depth x height) with additional cover (to replace the cover supplied: consists of 2 parts, ordered separately)

Article	Name
93313	CH-5206-B 60 cm black matte
93314	CH-5209-B 90 cm black matte
93971	Additional cover PS-R45 155 cm black matte

Recommended AC-roof fan models
VILPE E-190, 220

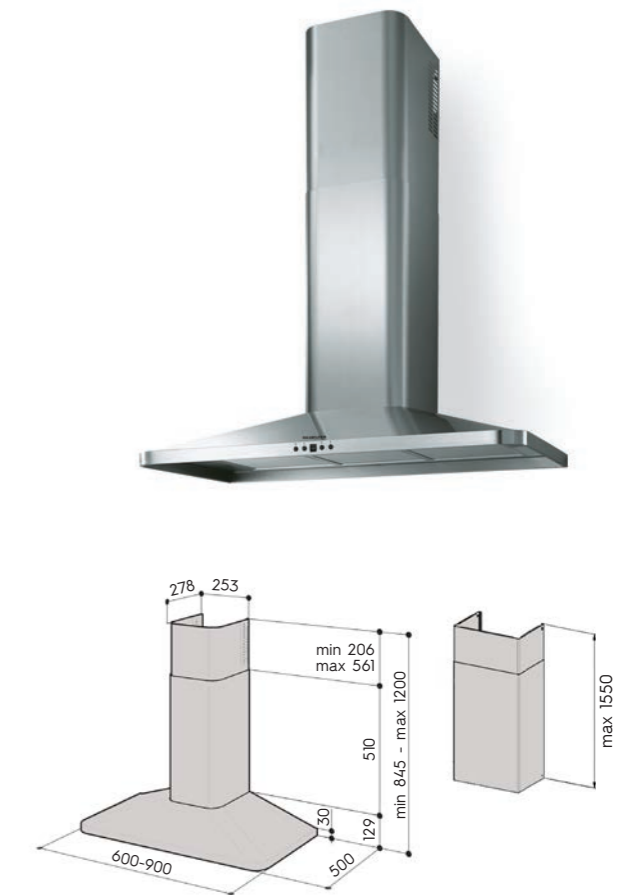


CH-52 RST 60 or 90 cm

- wall mounted
- controls an external fan with an AC motor (max 260 W)
- electronic control panel with speed indicator
- timer
- winter start
- rated lighting power 5 W, 2 x LED (3000 K)
- washable stainless steel filters
- metal filter clogging indicators
- outlet diameter 150/125 mm
- 600/900 x 500 x 845–1200 mm (width x depth x height)
- 600/900 x 500 x 1650 mm (width x depth x height) with additional cover (to replace the cover supplied: consists of 2 parts, ordered separately)

Article	Name
90311	CH-5206-S 60 cm RST
90312	CH-5209-S 90 cm RST
90971	Additional cover PS-R45 155 cm RST

Recommended AC- roof fan models
VILPE E-190, 220



ISLAND MODELS



The island cooker hood models of our collection combine high quality with contemporary design. Hoods connected to a roof fan are equipped with powerful LED lamps and intelligent control technology.

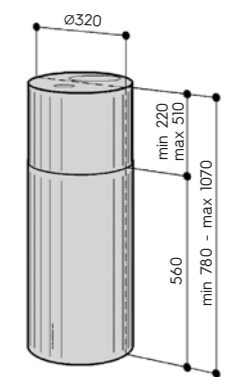
*A stylish island cooker
hood complements
the interior of
your kitchen*

IH-76 color RST or white 32 cm

- ceiling mounted
- controls an external fan with an AC motor (max 260W)
- touch control panel
- timer
- winter start
- rated lighting power 5 W, 2 x LED (3000 K)
- washable design stainless steel filter
- metal filter clogging indicators
- outlet diameter 150/125 mm
- 320 x 780-1070mm (D x H)

Article	Name
90574	IH-7603-S 32 cm RST
92574	IH-7603-W 32 cm white

Recommended AC- roof fan models
VILPE E-190, 220

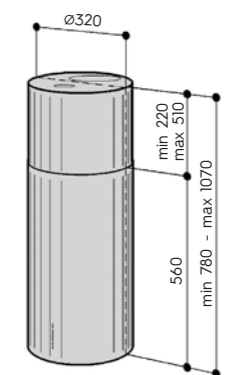


eIH-76 color RST or white, 32 cm

- ceiling mounted
- controls an external fan with an EC motor (0-10V)
- touch control panel
- ASC mode (automatic start, control and shutdown)
- rated lighting power 5 W, 2 x LED (3000 K)
- washable design stainless steel filter
- metal filter clogging indicators
- outlet diameter 150/125 mm
- 320 x 780-1070mm (D x H)

Article	Name
97211	eIH-7603-S/ASC 32 cm RST
97212	eIH-7603-W/ASC 32 cm white

Recommended EC- roof fan models
VILPE ECO-190, ECO-220, FLOW ECO-125, FLOW ECO-160





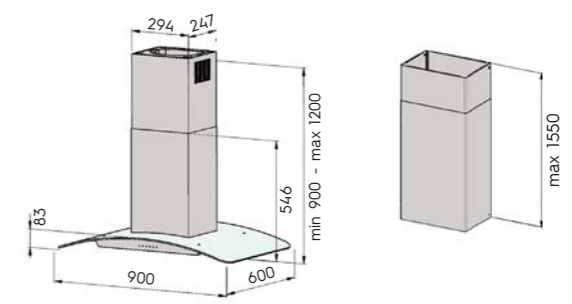
The curved shape of the hood offers more light and a greater sense of space

eIH-61 RST/glass 90 cm

- ceiling mounted
- controls an external fan with an EC motor (0–10V)
- touch control panel with speed indicator
- ASC mode (automatic start, control and shutdown)
- rated lighting power 10 W, 4 x LED (3000 K)
- washable design stainless steel filter
- metal filter clogging indicators
- outlet diameter 150/125 mm
- 900 x 600 x 900–1200 mm (width x depth x height)
- 900 x 600 x 1630 mm (width x depth x height) with additional cover (to replace the cover supplied: consists of 2 parts, ordered separately)

Article	Name
97205	eIH-6109-S/ASC 90 cm RST/glass
90975	Additional cover PS-90 island model 155 cm RST

Recommended EC- roof fan models
 VILPE ECO-190, ECO-220, FLOW ECO-125, FLOW ECO-160

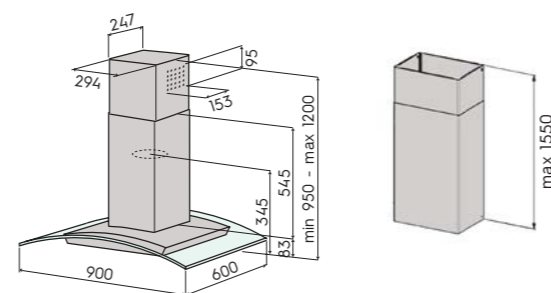


IH-68 RST/glass 90 cm

- ceiling mounted
- controls an external fan with an AC motor (max 260W)
- touch control
- timer
- rated lighting power 10 W, 4 x LED (3000 K)
- washable metal filter
- metal filter clogging indicators
- outlet diameter 150/125 mm
- 900 x 600 x 950–1200 mm (width x depth x height)
- 900 x 600 x 1630 mm (width x depth x height) with additional cover, to replace the included one

Article	Name
90566	IH-6809-S 90 cm RST/glass
90975	Additional cover PS-90 island model 155 cm RST

Recommended AC- roof fan models
 VILPE E-190, 220

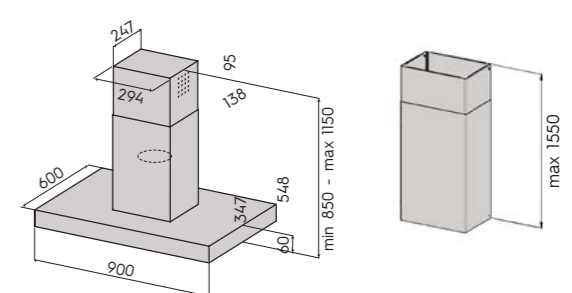


IH-65 RST 90 cm

- ceiling mounted
- controls an external fan with an AC motor (max 260W)
- touch control
- timer
- rated lighting power 10 W, 4 x LED (3000 K)
- washable metal filter
- metal filter clogging indicators
- outlet diameter 150/125 mm
- 900 x 600 x 850–1150 mm (width x depth x height)
- 900 x 600 x 1600 mm (width x depth x height) with additional cover (to replace the cover supplied: consists of 2 parts, ordered separately)

Article	Name
90536	IH-6509-S 90 cm RST
90975	Additional cover PS-90 island model 155 cm RST

Recommended AC- roof fan models
 VILPE E-190, 220



CEILING MOUNTED MODELS



An open-plan kitchen gives a feeling of spaciousness and makes the kitchen workplace part of the common room. A recessed ceiling hood that controls a roof fan is perfect for this open design. Completely integrated into the ceiling, the unit features a stainless steel frame and bright LED lighting and is controlled by a remote control.

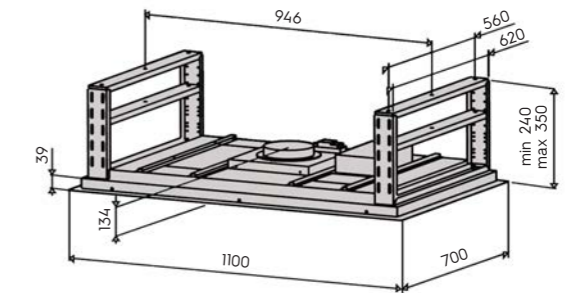
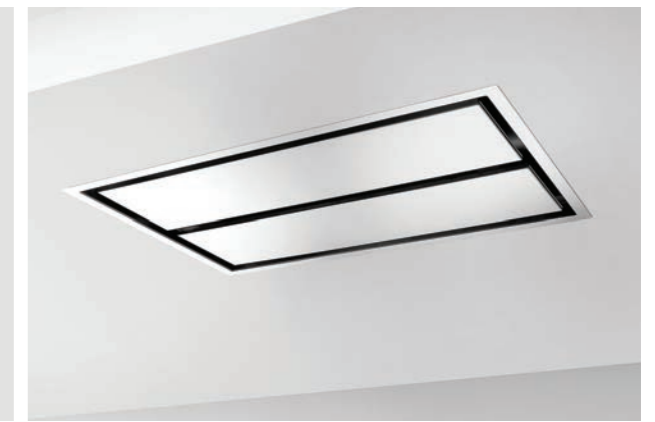
A ceiling-model cooker hood offers exceptionally low noise and minimalistic design

RH-95 RST 110 cm

- ceiling mounted
- controls an external fan with an AC motor (max 260W)
- remote control
- timer
- winter start
- rated lighting power 18 W, 6 x LED (3000 K)
- perimetric air intake
- washable metal filters
- metal filter clogging indicators
- outlet diameter 150 mm
- 1100 x 700 x 240-350 mm (width x depth x height)

Article Name
86551 RH-9511-S 110 cm RST

Recommended AC- roof fan models
VILPE E-220

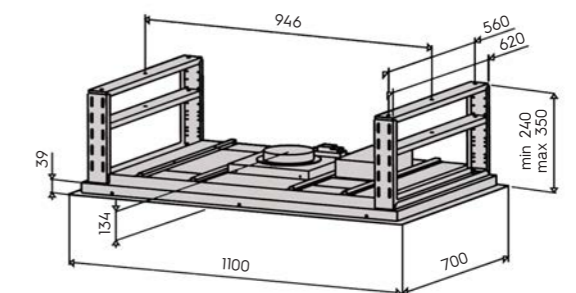
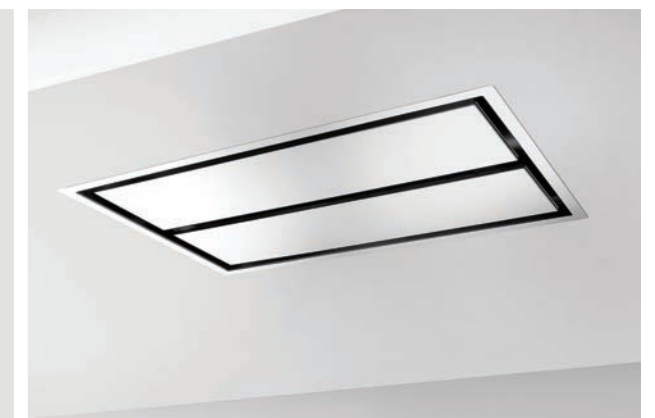


eRH-95 RST 110 cm

- ceiling mounted
- controls an external fan with an EC motor (0-10V)
- remote control
- timer
- rated lighting power 18 W, 6 x LED (3000 K)
- perimetric air intake
- washable metal filters
- metal filter clogging indicators
- outlet diameter 150 mm
- 1100 x 700 x 240-350 mm (width x depth x height)

Article Name
97361 eRH-9511-S 110 cm RST

Recommended EC- roof fan models
VILPE ECO-220, FLOW ECO-160



BUILT-IN MODELS

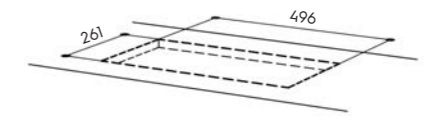


Built-in cooker hoods, compatible with smart home systems and controlling a roof fan, are silent and almost invisible, ideal for creating a simple and finished kitchen look. The model range offers a variety of design applications, as well as providing greater efficiency compared to a traditional kitchen hood.

**Built-in cooker hood models
are almost invisible
in the kitchen**

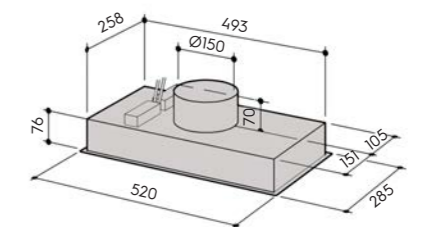
GH-36 RST 52 cm

- built-in
- controls an external fan with an AC motor (max 260 W)
- electronic control panel with speed indicator
- timer
- winter start
- rated lighting power 5 W, 2 x LED (3000 K)
- washable metal filters
- metal filter clogging indicators
- outlet diameter 150/125 mm
- 520 x 285 x 110 mm (width x depth x height)



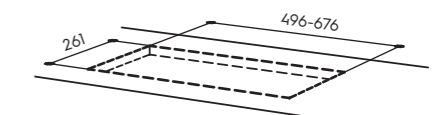
Article Name
90623 GH-3605-S 52 cm RST

Recommended AC- roof fan models
VILPE E-190, 220



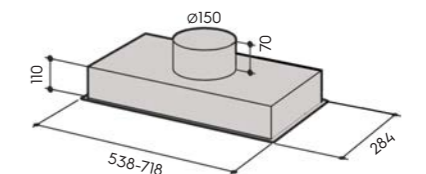
GH-56 RST 54 or 72 cm

- built-in
- controls an external fan with an AC motor (max 260 W)
- touch control panel with speed indicator
- timer
- winter start
- rated lighting power 5 W, 2 x LED (3000 K)
- perimetric air intake
- washable metal filters
- metal filter clogging indicators
- outlet diameter 150/125 mm
- 538/718 x 285 x 110 mm (width x depth x height)



Article Name
90638 GH-5605-S 54 cm RST
90639 GH-5607-S 72 cm RST

Recommended AC- roof fan models
VILPE E-190, 220





PH-26 RST 60 cm*

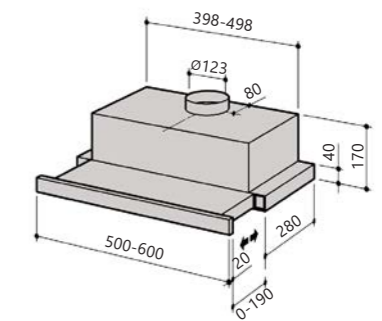
- built-in
- controls an external fan with an AC motor (max 260 W)
- equipped with a glass visor
- shifting speeds by extending the visor
- rated lighting power 5 W, 2 x LED (3000 K)
- washable metal filter
- outlet diameter 125 mm
- 600 x 280 (+20 mm front panel) x 170 mm (width x depth x height)

* the hood is discontinued, on sale while warehouse stocks last



Article Name
90617 PH-2606-S 60 cm RST

Recommended AC- roof fan models
VILPE E-190



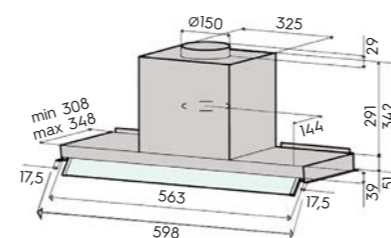
GH-63 RST 60 cm

- built-in
- controls an external fan with an AC motor (max 260 W)
- swiveling glass canopy
- touch control
- timer
- winter start
- rated lighting power 5 W, 2 x LED (3000 K)
- washable metal filters
- metal filter clogging indicators
- outlet diameter 150/125 mm
- 598 x 308-348 x 342 mm (width x depth x height)
- built-in width 563 mm



Article Name
86633 GH-6306-S 60 cm RST

Recommended AC- roof fan models
VILPE E-190, 220



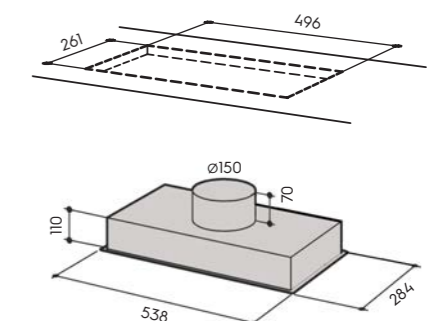
eGH-56 RST 54 cm

- built-in
- controls an external fan with an EC motor (0-10V)
- touch control panel with speed indicator
- ASC mode (automatic start, control and shutdown)
- rated lighting power 5 W, 2 x LED (3000 K)
- perimetric air intake
- washable metal filters
- metal filter clogging indicators
- outlet diameter 150/125 mm
- 538 x 284 x 110 mm (width x depth x height)



Article Name
97331 eGH-5605-S/ASC 54 cm RST

Recommended EC- roof fan models
VILPE ECO-190, ECO-220, FLOW ECO-125, FLOW ECO-160



VILPE ROOF FANS



The roof fan is a key component in the VILPE® Silent Kitchen system and its installation guarantees excellent ventilation of the kitchen area. The design of the fan is lightweight and durable. The outer casing is made of high quality polypropylene, which is non-corrosive, UV and weather resistant.

Roof fan motors are durable and reliable

VILPE ECo125P/700 FLOW direct current roof fan VILPE ECo125P/500 FLOW direct current roof fan

Energy efficient DC fan with Flow hood.

0-700 m3/h. DC motor type. With noise absorber.

Dimensions: duct Ø 125 mm, external Ø 225 mm, height from roof approx. 700 and 500 mm.

Kit: fan, installation instructions and a set of fasteners.

Color	Article 700 mm	Article 500 mm
black	350182	350242
brown	350184	350244
green	350186	350246
grey	350187	350247
red	350188	350248
brick red	350189	350249
light grey	350181	350241



VILPE ECo160P/700 FLOW direct current roof fan VILPE ECo160P/500 FLOW direct current roof fan

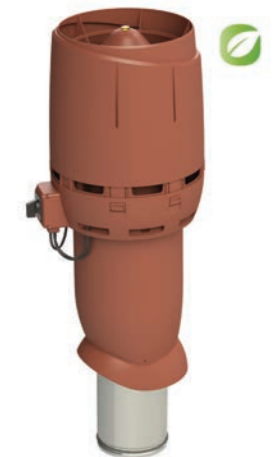
Energy efficient DC fan with Flow hood.

0-1000 m3/h. DC motor type.

Dimensions: duct Ø 160 mm, outer Ø 225 mm, height from roof approx. 700 and 500 mm.

Kit: fan, installation instructions and a set of fasteners.

Color	Article 700 mm	Article 500 mm
black	350192	350252
brown	350194	350254
green	350196	350256
grey	350197	350257
red	350198	350258
brick red	350199	350259
light grey	350191	350251



VILPE E190P/125/700 alternating current roof fan VILPE E190P/125/500 alternating current roof fan

0-500 m3/h. AC motor type. With noise absorber.

Dimensions: duct Ø 125 mm, external Ø 225 mm, height approx. 700 and 500 mm.

Kit: fan, installation instructions and a set of fasteners.

Color	Article 700 mm	Article 500 mm
black	73532	73592
brown	73534	73594
green	73536	73596
grey	73537	73597
red	73538	73598
brick red	73539	73599
light grey	73531	73591



Note: VILPE roof fans are not part of the SAVO range.

VILPE E220P/160/700 alternating current roof fan
VILPE E220P/160/500 alternating current roof fan

0-800 m3/h. AC motor type.
 Dimensions: Ø air duct 160 mm, external Ø 225 mm,
 height approx. 700 and 500 mm.
 Kit: fan, installation instructions and a set of fasteners.

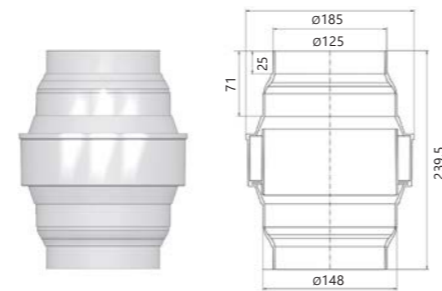
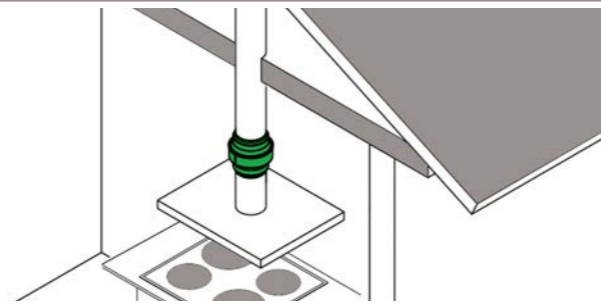
Color	Article 700 mm	Article 500 mm
black	73462	73472
brown	73464	73474
green	73466	73476
grey	73467	73477
red	73468	73478
brick red	73469	73479
light grey		73471



ACCESSORIES

Condensate collector

- prevents condensate from draining from the channel to the stove
- installed above the hood gate or in close proximity to it
- the collected condensate evaporates
- suitable for Ø 125/150 mm air ducts
- capacity 350 ml
- recommended for installation in any kitchen hood systems of a private house, both with an external motor (VILPE Silent Kitchen) and for a system with a kitchen hood with an integrated motor



Article	Name
91101	Condensate collector

SENSE - stove guard

- prevents the most common cause of house fire
- kitchen safety guarantee
- wireless connection
- mobile app



Article	Name
94240	SENSE monitor (BT)
94243	SENSE-3-phase stove guard (BT)
94241	SENSE-1-phase stove guard (BT)

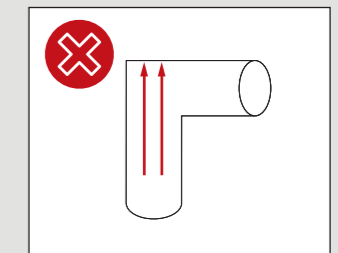
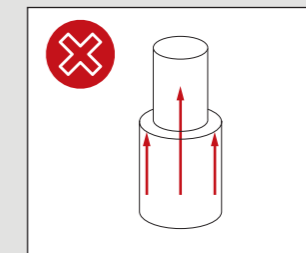
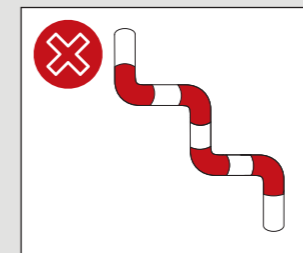
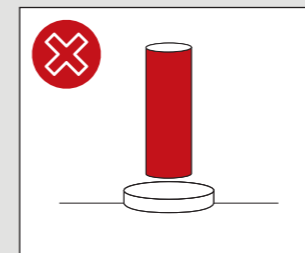
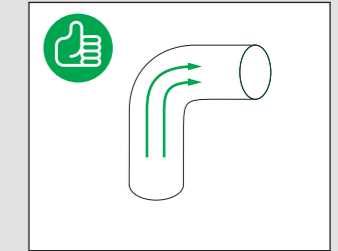
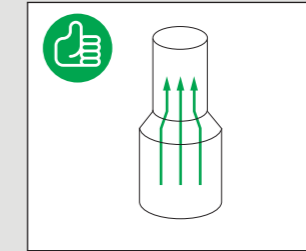
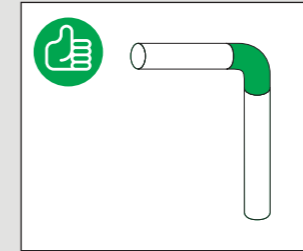
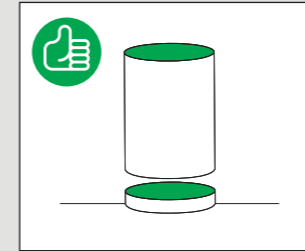
INSTALLATION TIPS

Choose an air duct of sufficient diameter.

Avoid additional bends when laying ducts.

Use conical adapters.

Use rounded adapters, without sharp corners.



RECOMMENDATIONS FOR USE

USE

- Turn on the hood about five minutes before you start cooking to create the necessary airflow.
- The exhaust fan effectively removes fumes and odors during cooking.
- Make sure there is enough air in the kitchen for air exchange while the cooker hood is running.
- Do not turn off the hood immediately after cooking is finished.

RESIDUAL VENTILATION

- Models with a timer function can be programmed to stop five minutes after the end of the cooking process.

CLEANING THE GREASE FILTERS

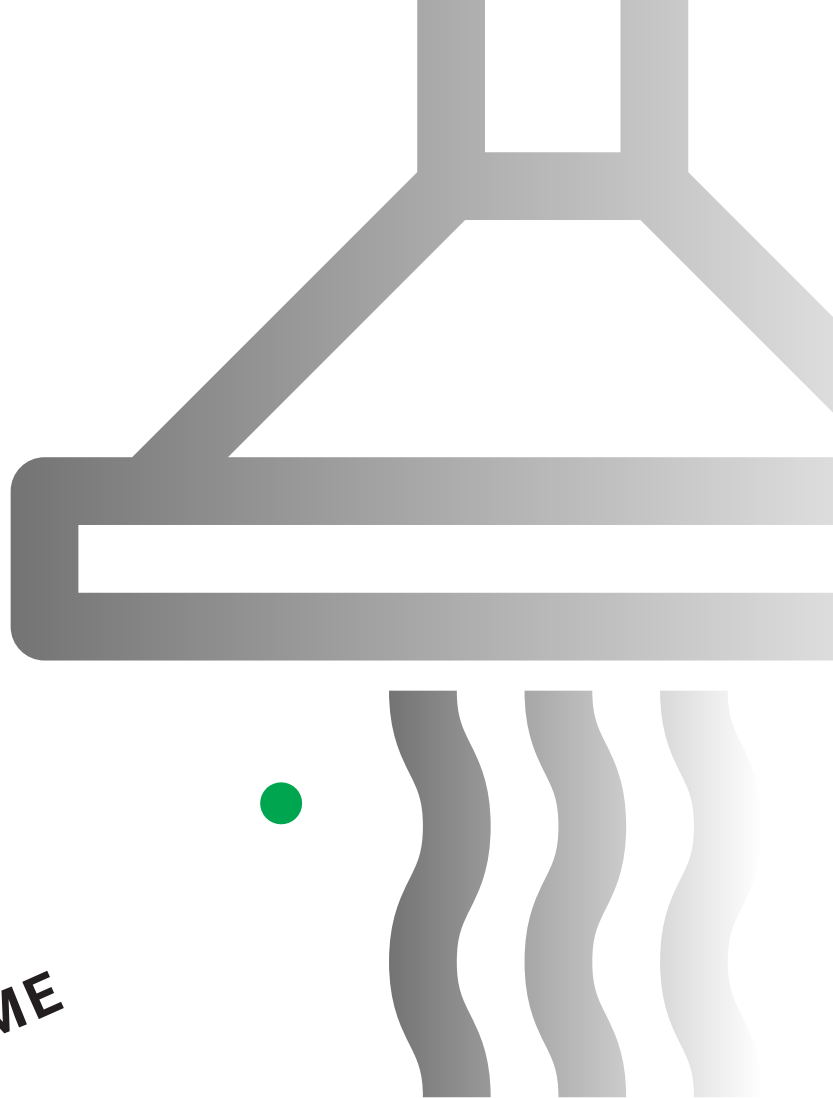
- Cleaning should be done regularly, every 30 hours of operation, at least once every two months, or when the cleaning reminder indicator is on.
- The filter can be washed in the dishwasher or by hand with a neutral dishwashing detergent.

CLEANING THE HOOD SURFACES

- Regular care and cleaning of the device will ensure reliable and safe operation of the hood and extend its life.
- Do not use caustic substances, abrasive materials, cleaning agents containing soda, acids or solvents for cleaning. Use cleaning agents suitable for metal surfaces.
- Do not use hard materials for cleaning.
- Always follow the instructions on the detergent packaging.
- Clean your hood every two months!

Note: VILPE roof fans are not part of the SAVO range.

CLEAN AIR IN YOUR HOME



savo

Savo Design & Technic Oy
Muuntotie 1,
FI-01510 Vantaa, Finland

www.savo.fi