

VILPE warranties:


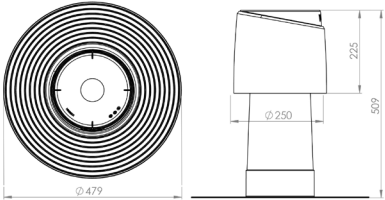

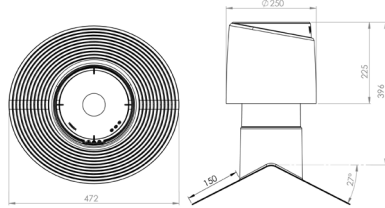

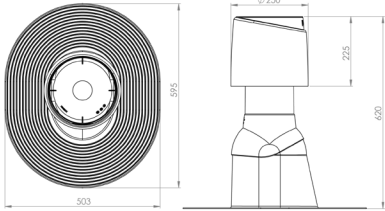
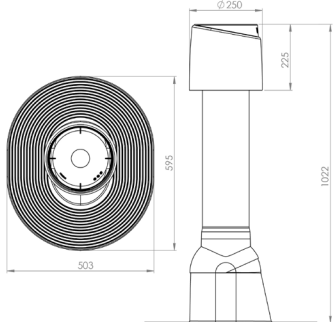

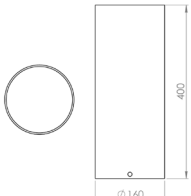
**10 year** colour guarantee

**20 year** technical guarantee

# New, modern

## VILPE® Alipai FLOW 160 PRODUCT SERIES

VILPE is updating the Alipai 160 product series with a new structure and FLOW cowl. This update will improve the products' structural durability. At the same time a new extension pipe is launched. This update will not cause any price changes.

	COLOUR	PRODUCT NUMBER		
<b>VILPE® ALIPAI FLOW 160 UNDERPRESSURE AIR VENT</b> Description: Underpressure ventilation pipe for ventilating roof structures of a low-pitched felt roof. Contents: Underpressure ventilation pipe, FLOW cowl. This product replaces VILPE® Alipai 160 (73016)	Black	730162		
<b>VILPE® ALIPAI FLOW 160 RIDGE 27° "AP" AIR VENTS PARTS</b> Description: Underpressure air ridge vent for ventilating roof structures of a felt roof with pitch of 27 degrees. Contents: Underpressure ventilation pipe, FLOW cowl. This product replaces VILPE® Alipai ridge 27 (73018).	Black	730182		
<b>VILPE® ALIPAI FLOW 160/620 LOW-PITCHED/INCLINED</b> <b>VILPE® ALIPAI FLOW 160/1000 LOW-PITCHED/INCLINED</b> Description: Underpressure air vent for ventilating roof structures of a gently sloping felt roof (with pitch of 0–20 degrees). Contents: Felt Tall pass-through, underpressure air vent pipe, cowl, screws. These products replace VILPE® Alipai low-pitched/inclined (73017 and 73020).	Black	730172		
	Black	730202		
<b>VILPE® ALIPAI LENGTHENING-160 L=400MM</b> Description: Extension pipe for Alipai 160 FLOW (730162). Contents: Extension pipe and screws.	Black	73113		

VILPE/6-2019