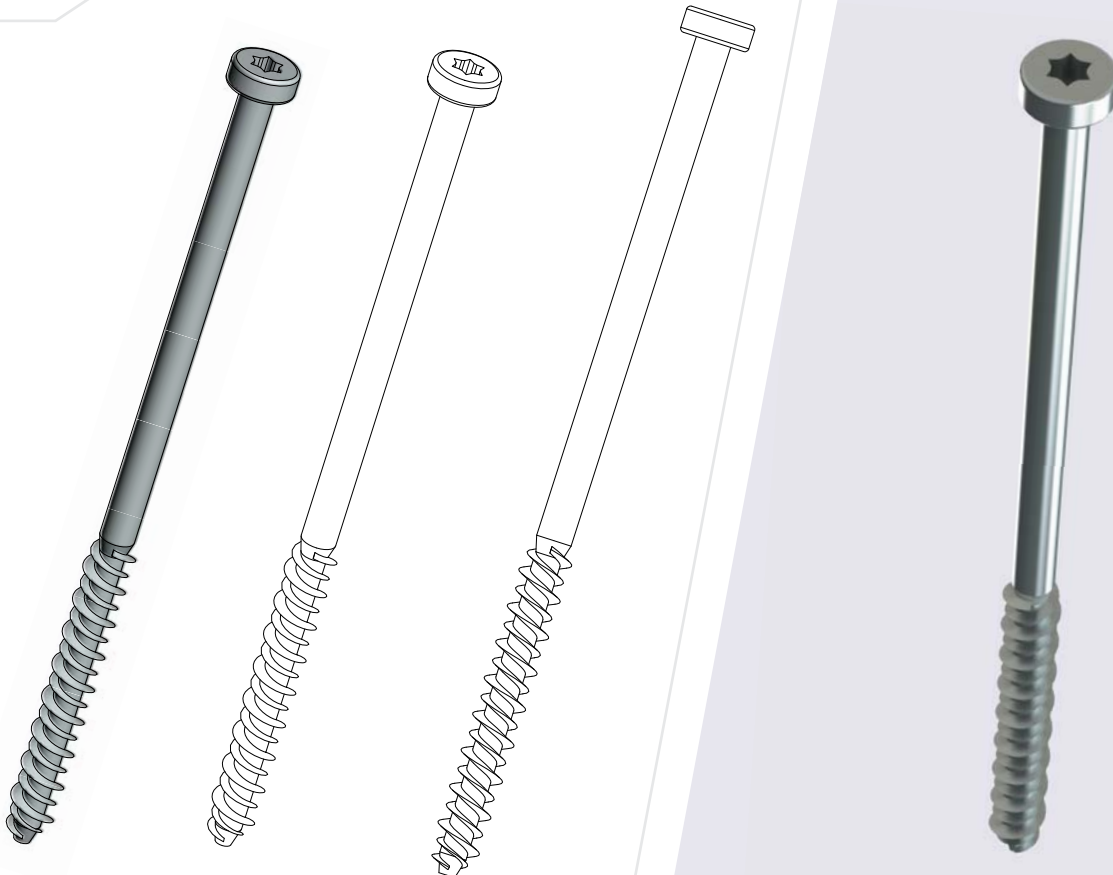


NEW!

VILPE®
Innovative and Easy

Concrete screw

For easier anchoring of Croco A and Croco B fasteners.

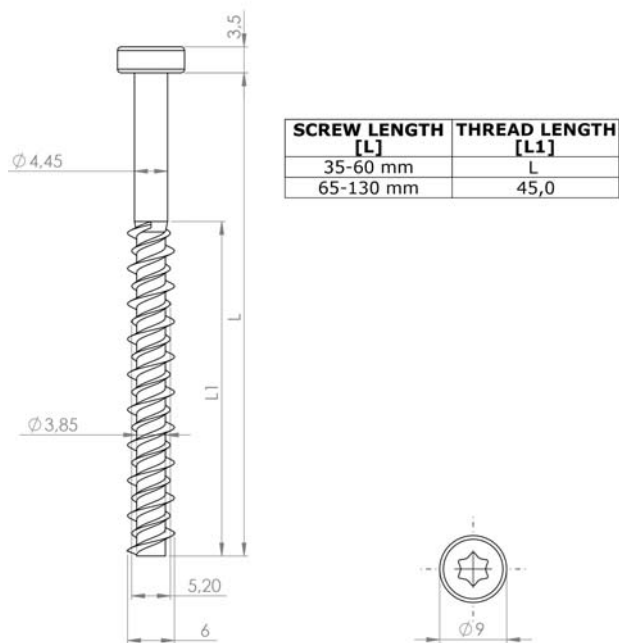


VILPE® Croco-product family now completed with concrete screws

Concrete screws are the latest addition to the VILPE® fastener system. This new product is intended for use with Croco A and Croco B fasteners on flat roofs supported by a concrete structure.

The entity of concrete screw and Croco fastener has been tested by VTT Expert Services Ltd and meets ETA (European Technical Assessment) requirements. Concrete screws are part of the European Assessment Document for Croco fasteners.

Schematics



Properties

- Suitable with Croco A and Croco B -fasteners for a concrete base. Can also be used to attach wood, sheet metal etc.
- Screw lengths: 35, 50, 60, 70, 80, 90, 100, 110, 120 and 130 mm.
- Insulation range: 20 mm - 545 mm.
- Screw head: Torx.
- Drill size: Ø 5 mm.
- Installation depth: >20 mm.
- Hole depth: >30 mm.
- Coating: Zinc and Tufcote/Ruspert.
- Tensile strength in accordance with ETAG 006 Annex D2.1 from C25/30 concrete base is 1,45 kN

Selection table for Croco B 110 + screw for concrete base

Fastener elasticity 10 % of insulation

Insulation mm	Croco B 110 + Concrete screw	Product no.
20	CROCO B-110 -20 + SCREW - 35	02520 + 672035
35	CROCO B-110 -20 + SCREW - 50	02520 + 672050
45	CROCO B-110 -20 + SCREW - 60	02520 + 672060
50	CROCO B-110 -50 + SCREW - 35	02550 + 672035
65	CROCO B-110 -50 + SCREW - 50	02550 + 672050
75	CROCO B-110 -50 + SCREW - 60	02550 + 672060
85	CROCO B-110 -50 + SCREW - 70	02550 + 672070
95	CROCO B-110 -80 + SCREW - 50	02580 + 672050
105	CROCO B-110 -80 + SCREW - 60	02580 + 672060
115	CROCO B-110 -100 + SCREW - 50	02600 + 672050
125	CROCO B-110 -100 + SCREW - 60	02600 + 672060
135	CROCO B-110 -120 + SCREW - 50	02620 + 672050
145	CROCO B-110 -120 + SCREW - 60	02620 + 672060
155	CROCO B-110 -120 + SCREW - 70	02620 + 672070
165	CROCO B-110 -150 + SCREW - 50	02650 + 672050
175	CROCO B-110 -150 + SCREW - 60	02650 + 672060
185	CROCO B-110 -150 + SCREW - 70	02650 + 672070
195	CROCO B-110 -170 + SCREW - 60	02654 + 672060
205	CROCO B-110 -170 + SCREW - 70	02654 + 672070
215	CROCO B-110 -170 + SCREW - 80	02654 + 672080
225	CROCO B-110 -200 + SCREW - 60	02660 + 672060
235	CROCO B-110 -200 + SCREW - 70	02660 + 672070
245	CROCO B-110 -200 + SCREW - 80	02660 + 672080
255	CROCO B-110 -230 + SCREW - 60	02664 + 672060
265	CROCO B-110 -230 + SCREW - 70	02664 + 672070
275	CROCO B-110 -250 + SCREW - 60	02670 + 672060
285	CROCO B-110 -250 + SCREW - 70	02670 + 672070

Insulation mm	Croco B 110 + Concrete screw	Product no.
295	CROCO B-110 -250 + SCREW - 80	02670 + 672080
305	CROCO B-110 -250 + SCREW - 90	02670 + 672090
315	CROCO B-110 -250 + SCREW - 100	02670 + 672100
325	CROCO B-110 -250 + SCREW - 110	02670 + 672110
335	CROCO B-110 -300 + SCREW - 70	02680 + 672070
345	CROCO B-110 -300 + SCREW - 80	02680 + 672080
355	CROCO B-110 -300 + SCREW - 90	02680 + 672090
365	CROCO B-110 -300 + SCREW - 100	02680 + 672100
375	CROCO B-110 -300 + SCREW - 110	02680 + 672110
385	CROCO B-110 -350 + SCREW - 70	02690 + 672070
395	CROCO B-110 -350 + SCREW - 80	02690 + 672080
405	CROCO B-110 -350 + SCREW - 90	02690 + 672090
415	CROCO B-110 -350 + SCREW - 100	02690 + 672100
425	CROCO B-110 -350 + SCREW - 110	02690 + 672110
435	CROCO B-110 -350 + SCREW - 120	02690 + 672120
445	CROCO B-110 -400 + SCREW - 80	02700 + 672080
455	CROCO B-110 -400 + SCREW - 90	02700 + 672090
465	CROCO B-110 -400 + SCREW - 100	02700 + 672100
475	CROCO B-110 -400 + SCREW - 110	02700 + 672110
485	CROCO B-110 -400 + SCREW - 120	02700 + 672120
495	CROCO B-110 -450 + SCREW - 80	02710 + 672080
505	CROCO B-110 -450 + SCREW - 90	02710 + 672090
515	CROCO B-110 -450 + SCREW - 100	02710 + 672100
525	CROCO B-110 -450 + SCREW - 110	02710 + 672110
535	CROCO B-110 -450 + SCREW - 120	02710 + 672120
545	CROCO B-110 -450 + SCREW - 130	02710 + 672130