

VILPE® Classic Vino 2K pass-through

The new VILPE® Classic Vino 2K pass-through for even higher-pitched metal and felt roofings

VILPE® Classic Vino 2K is a new, progressive pass-through for metal and felt roofings. It is possible to install on roof pitches of up to 57 degrees. The collar or the pass-through is shaped steeper than before, enabling it to be installed on roofs steeper than what the traditional VILPE® Classic pass-through could be. The stylish and angular VILPE® Classic Vino 2K is also more elegant on a linear sheet metal roofing than its predecessor.

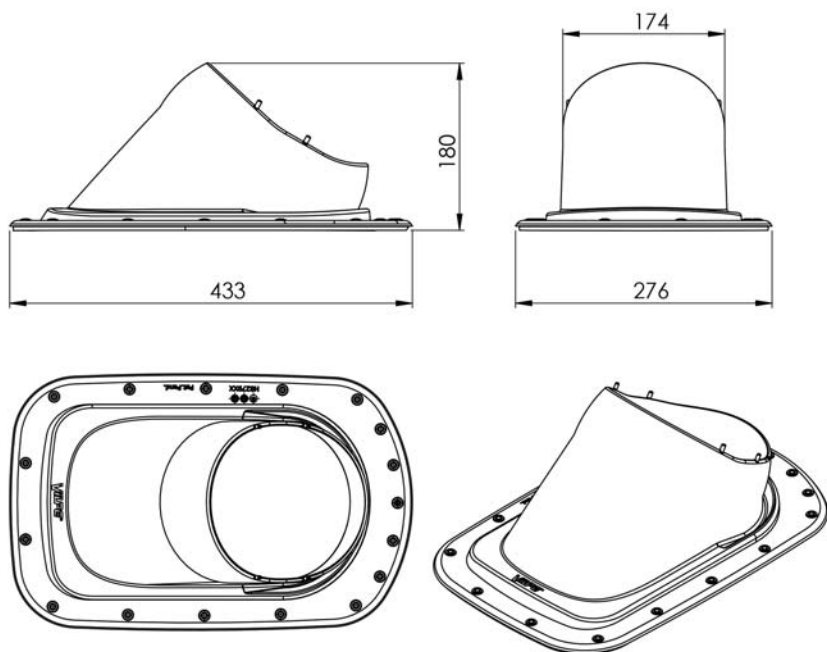
The product ensemble includes the Underlay 2K Seal, the new-generation VILPE® solution for completely waterproofing the underlay. The two-component underlay seal straddles the underlay and the top of the pass-through seamlessly, preventing any rainfall, snow or moisture reaching roof structures or the insulating material. The seal on the bottom of the pass-through guarantees a totally waterproof end result.

Installing the VILPE® Classic Vino 2K pass-through series is simple and easy: the pass-through includes spikes for attaching the Underlay 2K Seal, and the kit includes all installation materials and clear instructions.

The pass-through enables installing VILPE® roof fans, exhaust pipes, ventilation pipes and antenna pass-throughs on the roof. Designed for pipes with Ø of 75, 110, 125 or 160 mm.



Dimensions



Package

Contents:

- VILPE® Classic Vino pass-through
- VILPE® 2K Underlay seal
- Sealing compound
- Fixing screws
- Installation instructions/templates for the underlay seal and the pass-through

Dimensions of the carton box: 445 x 320 x 225 mm.

Product numbers

NAME	COLOUR	PRODUCT NUMBER
VILPE® Classic Vino 2K pass-through	black	746002
	brown	746004
	green	746006
	grey	746007
	red	746008
	brick red	746009
	light grey	746001

Material

The VILPE® Classic Vino 2K pass-through is manufactured from non-corrosive, weather and shockproof, recyclable and UV-protected polypropylene plastics (PP).

Standard colours

-  Black
Reference colours RR 33, RAL 9005
-  Brown
Reference colours RR 32, RAL 8019
-  Green
Reference colours RR 11, RAL 6020
-  Grey
Reference colours RR 23, RAL 7015
-  Red
Reference colours RR 28/29, RAL 3009
-  Brick red
Reference colours RR 750, RAL 8004
-  Light grey
Reference colours RAL 7040

Installation video



VILPE® Classic Vino 2K pass-through series has been designed and manufactured in Finland, with Nordic conditions in mind.